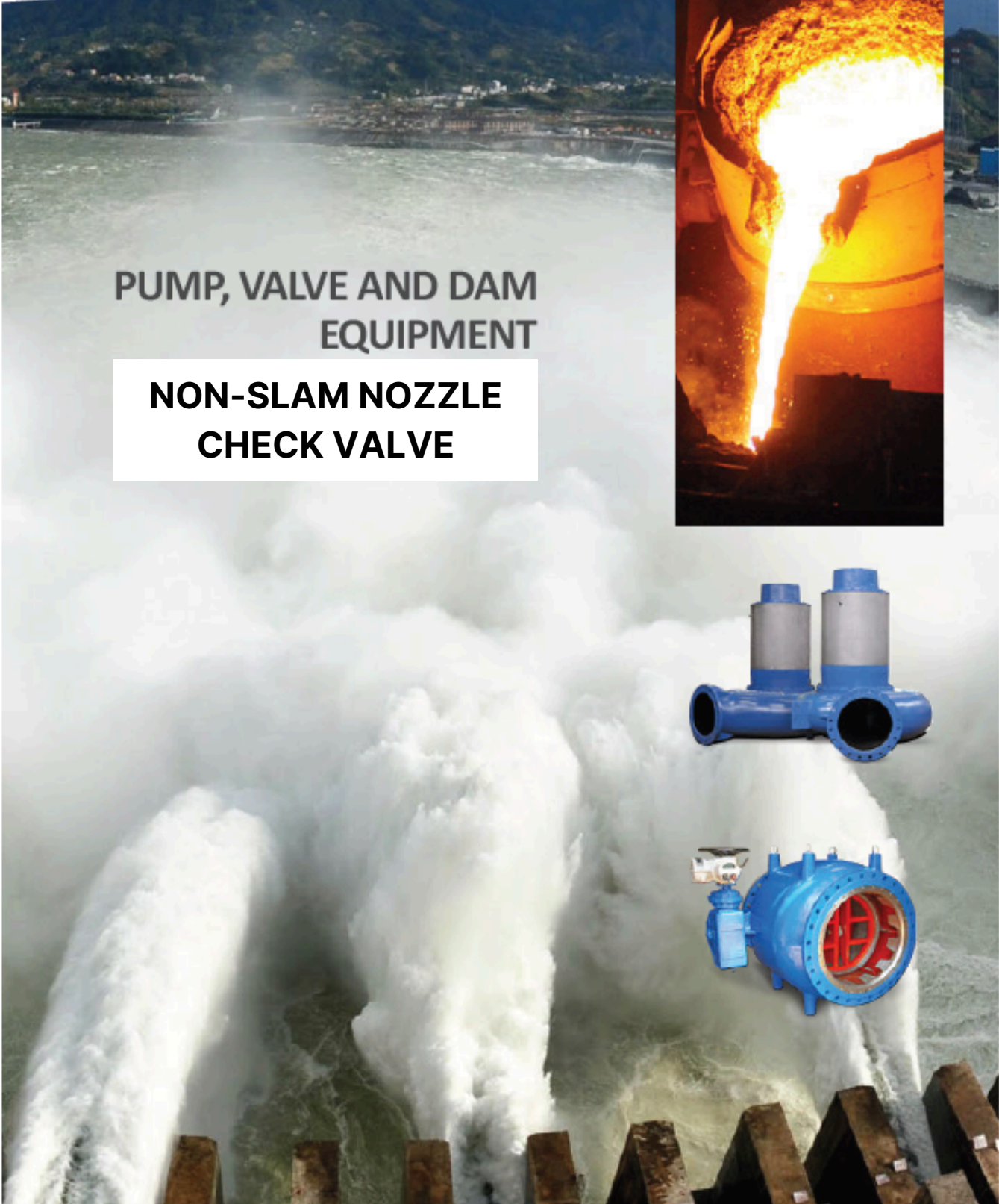


**PUMP, VALVE AND DAM
EQUIPMENT**

**NON-SLAM NOZZLE
CHECK VALVE**



Since 1984, SEMSAN PUMP is main mechanical equipment and specific process pumps manufacturer for most important projects of Turkey. SEMSAN is most wanted company in Turkey market when SEMSAN PUMP established.

SEMSAN PUMP relocated in Samsun organized industrial zone at 2002 for growing marketing requests.

SEMSAN PUMP has 5000m2 work field in Samsun Industrial zone. Our company has 2x2000 kg. + 2x750 kg. Inductoherm brand twin induction furnaces. We can offer our brands manufacturing and high-tech forming and induction equipment's we can produce stainless steel and ductile products.

SEMSAN PUMP has TSE certificates on all products and all processes have to obey TSE ISO 9001:2008, TSE-EN-ISO 14001, İSG-OHSAS TS18001 quality management.

SEMSAN PUMP also has European CE Declaration of conformity for pumps and valves.

SEMSAN PUMP has innovative perspective, daily gaining new features on our company. Also SEMSAN PUMP check updates and newest products in the marketing world wide and keeps updating and upgrading self.

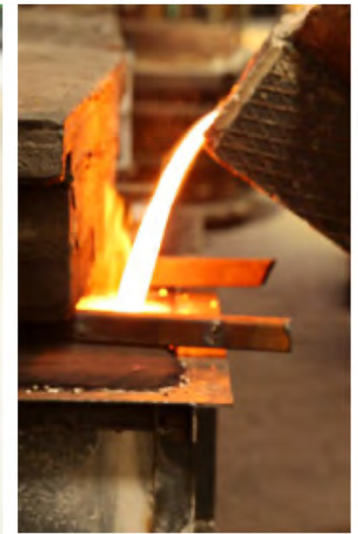
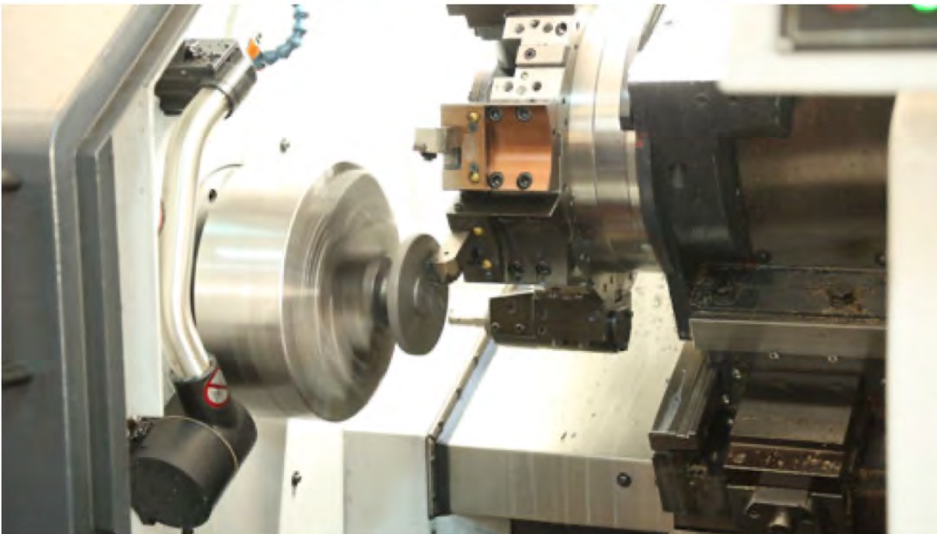
CERTIFICATION

- K-Q TSE ISO EN 9000 QUALITY MANAGEMENT SYSTEM
- TSE İSG-OHSAS TS 18001 HEALTH AND SAFETY MANAGEMENT SYSTEM
- Ç-E TSE-ISO-EN 14000 ENVIROMENTAL MANAGEMENT SYSTEM
- TS EN 593 BUTTERFLY VALVE
- TS EN 12334 CHECK VALVE
- TS 12599 SUBMERSIBLE SEWAGE PUMP
- TSE K 461 DISMANTLIG JOINT
- 97/23/EC PRESSURE EQUIPMENT CASTING CERTIFICATE
- CE DECLARATION OF CONFORMITY ABOUT PUMPS
- TS 12873 SERVICE QUALIFICATION CERTIFICATE - PUMPS
- TS 12844 SERVICE QUALIFICATION CERTIFICATE - VALVE
- WRAS - COATING AND EPDM SEALING SUITABLE FOR DRINKING WATER



MANUFACTURING

- FOUNDRY; 2x2000 kg + 2x750 kg Inductotherm Induction Furnace
- CNC Machining Department
- Electrostatic Epoxy Coating Line
- Double Compound Wet Epoxy Line
- Quality Control
- Material Laboratory: Spectrometer, Tensile Strength Test Machine, Microstructure Analysis Microscope, Hardness Tests
- Hydrostatic Pressure Tests for EN 12266 -1,2
- Pump Performance Tests for ISO 9906
- Material Certification for EN 10204 3.1
- Coating Thickness, Pull of and Spark Test
- Surface Roughness Tests



NON-SLAM NOZZLE CHECK VALVE

DN 100/1800
PN 10 - 64

DESIGN

- TS EN 16767 certified
- Double flange
- Flanges DIN EN1092
- PN 10/16/25/40/64
- Face to face EN 558-1 series 14 (DIN3202, F4)
- One piece rigid design
- Body sealing surface; corrosion-resistant stainless steel welded AISI 316 and microfinished
- Axial closing design by spring
- Axial movement by disk
- Replaceable inside parts
- EPDM sealing ring
- Internal fasteners of valve are stainless steel

MATERIAL

- Body ductile iron GGG40/50
- Disk ductile iron GGG40/50
- EPDM sealing ring
- Checkvalve shaft is; AISI 420 (X20Cr13)
- Shaft bearing is bronze

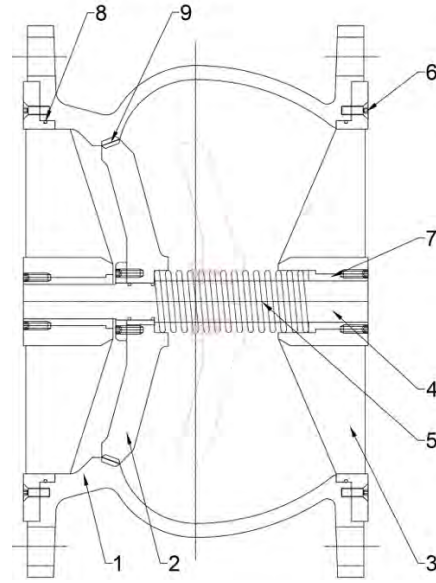
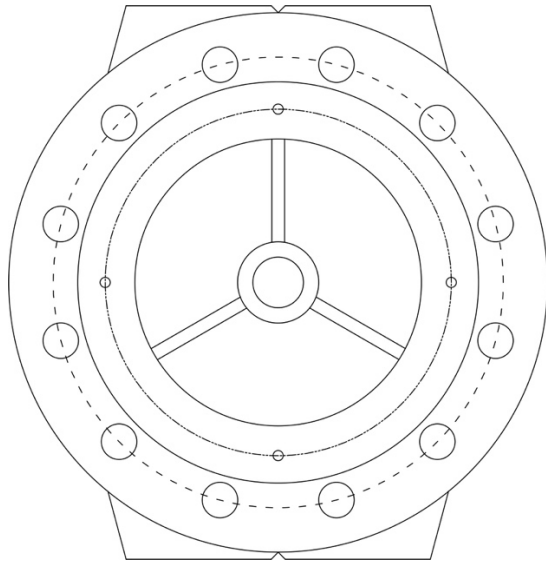
OPTIONAL

- DN > 1600
- Stainless steel body and disk

CORROSION PROTECTION

- Electrostatic Powder Coating for Drinking Water
- Zinch – Rich Epoxy Primer
- Coal – Tar Epoxy
- Glass Flake Epoxy
- Enamel Epoxy for Ultraviolet
- Completely Stainless Steel Design
- Ebonite Coating for Seawater



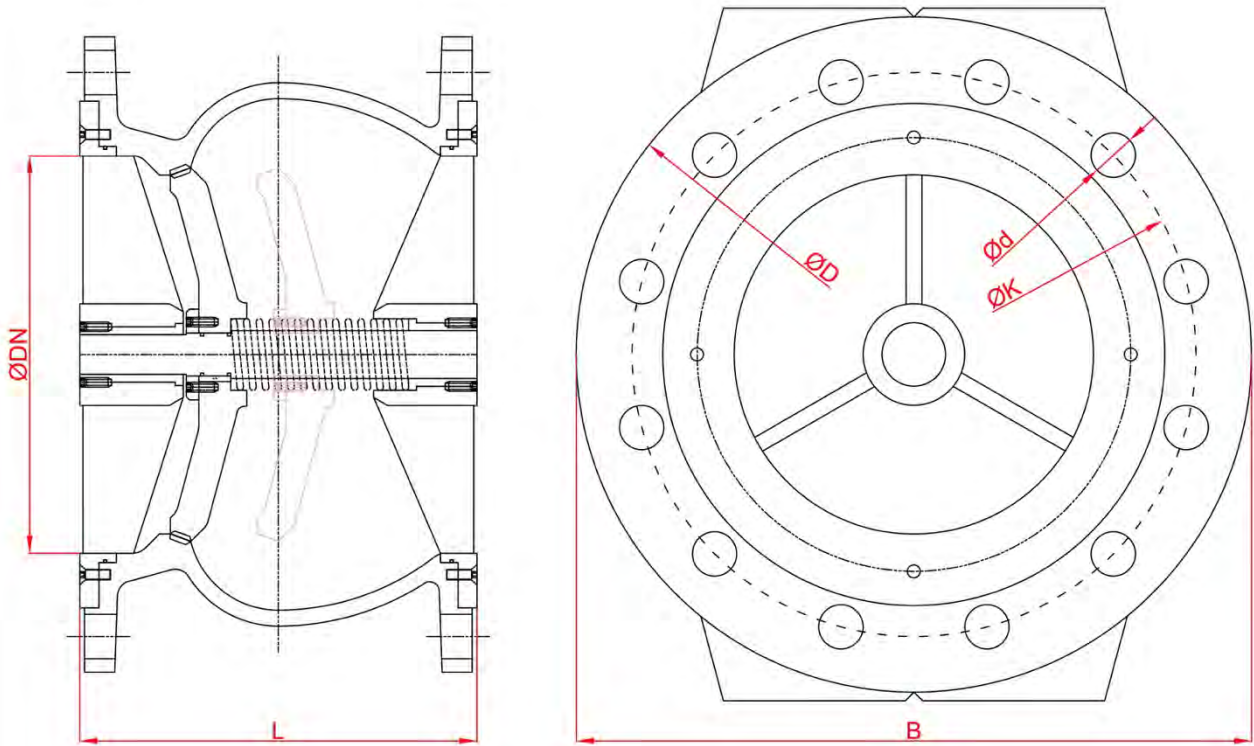


NO	PART	STANDART MATERIAL	OPTIONAL MATERIALS
1	VALVE BODY	DUCTILE IRON GJS400.15 / GJS400.18 / GJS500.7 / GJS500.14	STAINLESS STEEL AISI 304 / AISI 316 / AISI 329 Duplex (S32900)
2	VALVE DISC	DUCTILE IRON GJS400.15 / GJS400.18 / GJS500.7 / GJS500.14	STAINLESS STEEL AISI 304 / AISI 316 / AISI 329 Duplex (S32900)
3	FLOW DIFFUSOR	DUCTILE IRON GJS400.15 / GJS400.18 / GJS500.7 / GJS500.14	STAINLESS STEEL AISI 304 / AISI 316 / AISI 329 Duplex (S32900)
4	SHAFT	1.4021 (AISI420) / 1.4057 (AISI431)	1.4462 (Duplex SS)
5	SPRING	EN10270-3 STAINLESS STEEL	AISI316
6	BOLTS	A2	A4
7	BEARING BUSH	GCuSn10	ZincFree Bronze
8	O-RING	EPDM	NBR
9	BODY AND DISC SEAT	AISI 309L Si	AISI 316L Si

TESTS	
LEAKAGE TEST	1.1 x PN
LOW PRESSURE LEAKAGE	0,2 ATM (zero leakage)
BODY TEST	1,5 X PN
COATING THICKNESS TEST	min 250 mikron
OPERATIONAL TEST	CLOSING TEST
MATERIAL TESTS	MECHANICAL, CHEMICAL, MICROSTRUCTURE

INTERNETIONAL STANDARTS FOR DESIGN		
MAIN TYPE	EN 16767	NON-SLAM NOZZLE TYPE CHECK VALVE
FACE TO FACE DIMENSONS	EN 558 - 1	SERIES 14
FLANGE DIMENSIONS	EN 1092	Flange norm can be revise up to customer
FINAL ACCEPTANCE TEST	EN12266 1 - 2	Rate A (Zero Leakage)
DESIGN TEST	1074 / EN 1267	
BODY AND DISC MATERIALS	EN1563 / AISI / EN 10202 / EN 10213	
SHAFT MATERIAL	EN 10088 / AISI	
BEARING MATERIALS	EN 1982	
COATING	EN ISO 12944 / EN ISO 2409 / EN ISO 4624 (min 250 mikron - electropowder epoxy up to DN1400; DN1500 and bigger wet epoxy)	
COATING FOR SEAWATER	min 3 mm ebonite coating / Glass Flake Epoxy Coating	
CERTIFICATION	10204 3.1 (non witnessed) 10204 3.2 (witnessed) Third Party Tests Raw Material Certificates	





DN	SERIES 15	PN10						PN16					
		B / D	K	No of Holes	d	b	Weight (kg)	B / D	K	No of Holes	d	b	Weight (kg)
100	190	220	180	8	19	19	25	220	180	8	19	19	25
125	200	250	210	8	19	19	32	250	210	8	19	19	35
150	210	285	240	8	23	19	40	285	240	8	23	19	40
200	230	340	295	8	23	20	60	340	295	12	23	20	60
250	250	400	350	12	23	22	80	400	355	12	28	22	80
300	270	455	400	12	23	24,5	110	455	410	12	28	24,5	110
350	290	505	460	16	23	24,5	130	520	470	16	28	26,5	130
400	310	565	515	16	28	24,5	160	580	525	16	31	28	160
450	330	615	565	20	28	25,5	237	640	585	20	31	30	237
500	350	670	620	20	28	26,5	300	715	650	20	34	31,5	300
600	390	780	725	20	31	30	460	840	770	20	37	36	460
700	430	895	840	24	31	32,5	670	910	840	24	37	39,5	670
800	470	1015	950	24	34	35	775	1025	950	24	40	43	775
900	510	1115	1050	28	34	37,5	970	1125	1050	28	40	46,5	970
1000	550	1230	1160	28	37	40	1078	1255	1170	28	43	50	1078
1100	590	1340	1270	32	37	43	1328	1355	1270	32	43	53,5	1328
1200	630	1455	1380	32	41	45	1848	1485	1390	32	49	57	1848
1300	670	1570	1490	32	44	45	2080	1585	1490	32	49	58	2080
1400	710	1675	1590	36	44	46	2270	1685	1590	36	49	60	2270
1500	750	1785	1700	36	44	47,5	3351	1820	1710	36	57	62,5	3351
1600	790	1915	1820	40	50	49	4385	1930	1820	40	57	65	4385
1800	870	2115	2020	44	50	52	6350	2130	2020	44	57	70	6350

DN	SERIES 15	PN25							PN40					
		L	B / D	K	No of Holes	d	b	Weight (kg)	B / D	K	No of Holes	d	b	Weight (kg)
100	190	190	220	180	8	19	19	30	235	190	8	22	24	30
125	200	200	270	220	8	28	19	35	270	220	8	26	26	45
150	210	210	300	250	8	28	20	55	300	250	8	26	28	70
200	230	230	360	310	12	28	22	75	375	320	12	30	34	100
250	250	250	425	370	12	31	24,5	100	450	385	12	33	38	150
300	270	270	485	430	16	31	27,5	130	515	450	16	33	42	170
350	290	290	555	490	16	34	30	155	580	510	16	36	46	185
400	310	310	620	550	16	37	32	200	660	585	16	39	50	300
450	330	330	670	600	20	37	34,5	280	685	610	20	39	50	389
500	350	350	730	660	20	37	36,5	380	755	670	20	42	52	480
600	390	390	845	770	20	40	42	490	890	795	20	48	60	650
700	430	430	960	875	24	43	46,5	780	995	900	20	48	64	945
800	470	470	1085	990	24	49	51	900	1140	1030	24	56	72	1350
900	510	510	1185	1090	28	49	55,5	1250	1250	1140	28	56	76	1830
1000	550	550	1320	1210	28	56	60	1685	1360	1250	28	56	80	2475
1100	590	590	1420	1310	32	56	64	1950	1470	1380	28	56	84	2865
1200	630	630	1530	1420	32	56	69	2400	1575	1460	32	62	88	3600

Our Products



Butterfly Valve



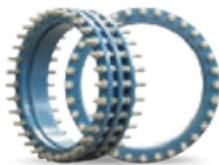
Plunger Valve



Tilting Check Valve



Nozzle Check Valve



Dismantling Joint



Submersible Mixed Flow Column Type Pump



Hydraulic Controlled Check Butterfly Valve



Strainer - Y - Type / Inline - Basket Type



Swing Check Valve



Knife Gate Valve



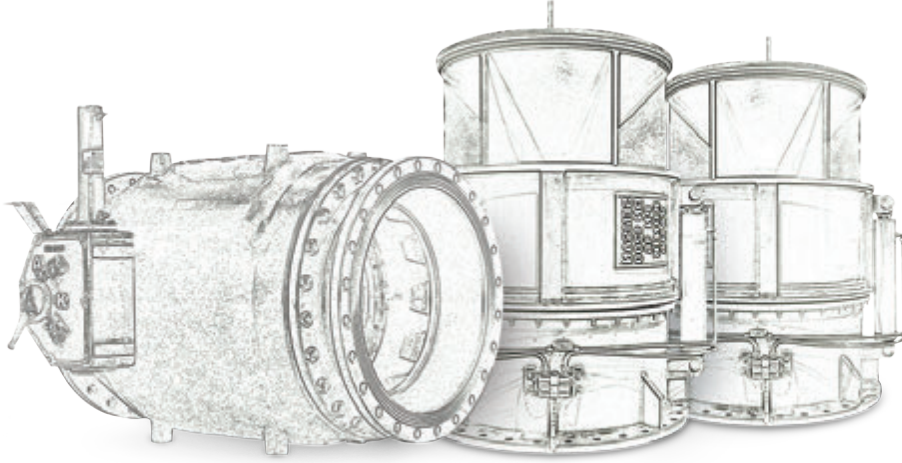
Hollow Jet Valve / Gate Valve



Submersible Sewage Pump



PUMP, VALVE & DAM
EQUIPMENTS
PRODUCT CATALOGUE



SEMSAN POMPA MAKİNA SANAYİ VE TİCARET LTD. ŞTİ.

Adres : Organize Sanayi Bölgesi Erdođan Cebeci Bulvarı.
No:42/B Kutlukent / SAMSUN / TURKEY
Phone : +90 362 266 88 33
Fax : +90 362 266 88 58
E-mail : semsan@semsan.com.tr
Web : www.semsan.com.tr

