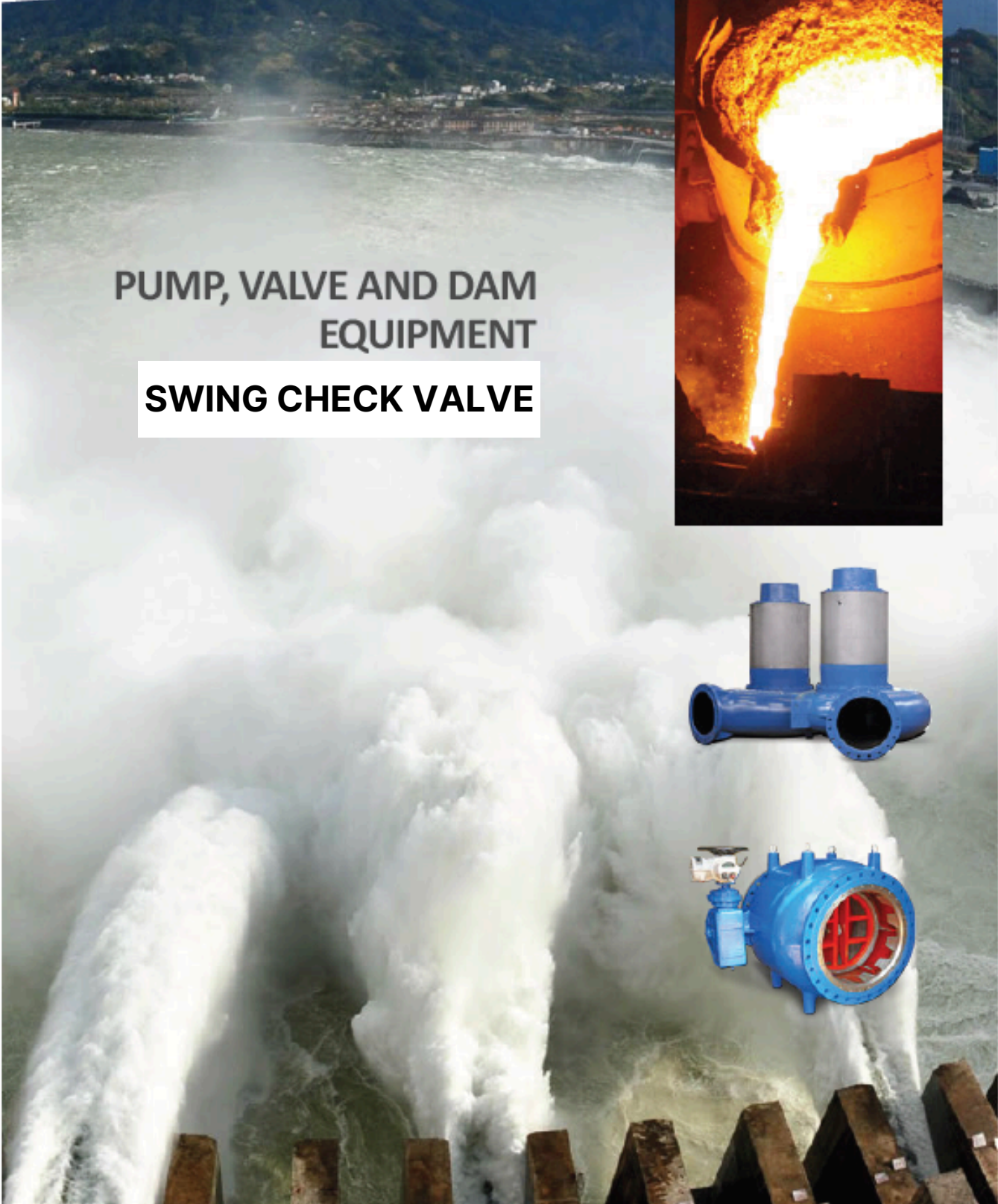


PUMP, VALVE AND DAM
EQUIPMENT
SWING CHECK VALVE



Since 1984, SEMSAN PUMP is main mechanical equipment and specific process pumps manufacturer for most important projects of Turkey. SEMSAN is most wanted company in Turkey market when SEMSAN PUMP established.

SEMSAN PUMP relocated in Samsun organized industrial zone at 2002 for growing marketing requests.

SEMSAN PUMP has 5000m2 work field in Samsun Industrial zone. Our company has 2x2000 kg. + 2x750 kg. Inductoherm brand twin induction furnaces. We can offer our brands manufacturing and high-tech forming and induction equipment's we can produce stainless steel and ductile products.

SEMSAN PUMP has TSE certificates on all products and all processes have to obey TSE ISO 9001:2008, TSE-EN-ISO 14001, İSG-OHSAS TS18001 quality management.

SEMSAN PUMP also has European CE Declaration of conformity for pumps and valves.

SEMSAN PUMP has innovative perspective, daily gaining new features on our company. Also SEMSAN PUMP check updates and newest products in the marketing world wide and keeps updating and upgrading self.

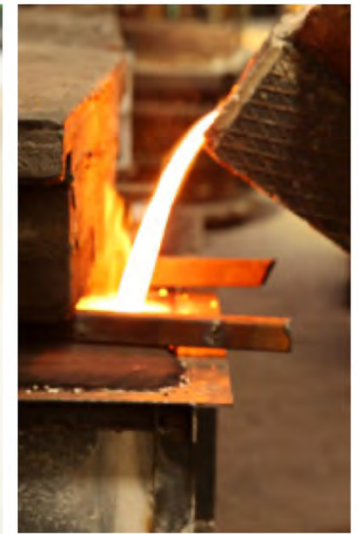
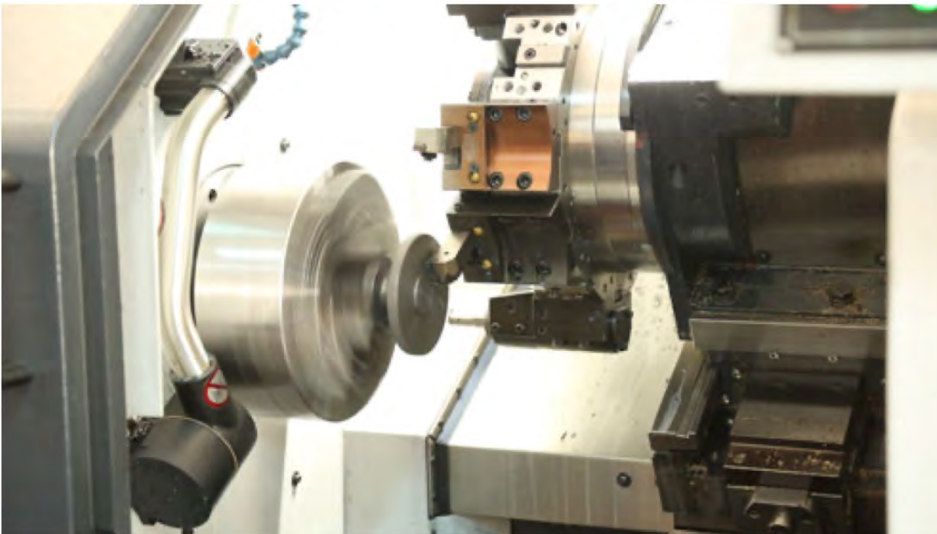
CERTIFICATION

- K-Q TSE ISO EN 9000 QUALITY MANAGEMENT SYSTEM
- TSE İSG-OHSAS TS 18001 HEALTH AND SAFETY MANAGEMENT SYSTEM
- Ç-E TSE-ISO-EN 14000 ENVIROMENTAL MANAGEMENT SYSTEM
- TS EN 593 BUTTERFLY VALVE
- TS EN 12334 CHECK VALVE
- TS 12599 SUBMERSIBLE SEWAGE PUMP
- TSE K 461 DISMANTLIG JOINT
- 97/23/EC PRESSURE EQUIPMENT CASTING CERTIFICATE
- CE DECLARATION OF CONFORMITY ABOUT PUMPS
- TS 12873 SERVICE QUALIFICATION CERTIFICATE - PUMPS
- TS 12844 SERVICE QUALIFICATION CERTIFICATE - VALVE
- WRAS - COATING AND EPDM SEALING SUITABLE FOR DRINKING WATER



MANUFACTURING

- FOUNDRY; 2x2000 kg + 2x750 kg Inductotherm Induction Furnace
- CNC Machining Department
- Electrostatic Epoxy Coating Line
- Double Compound Wet Epoxy Line
- Quality Control
- Material Laboratory: Spectrometer, Tensile Strength Test Machine, Microstructure Analysis Microscope, Hardness Tests
- Hydrostatic Pressure Tests for EN 12266 -1,2
- Pump Performance Tests for ISO 9906
- Material Certification for EN 10204 3.1
- Coating Thickness, Pull of and Spark Test
- Surface Roughness Tests



SWING CHECK VALVE

DN 40/1000 | PN 10/ 16



DESIGN

- TS EN 12334
- Flanges DIN EN1092 - PN 10/16 Norms
- Face to face EN558-1 series 48 (2DN+100)
- Maximum operating temperature 50 °C

MATERIAL

- Body and disk ductile iron GGG 40/50
- Valve shaft stainless steel AISI 420
- Shaft bearing is bronze

CONTROL

- Closing with hydraulic damper
- Working with counterweight and without counterweight

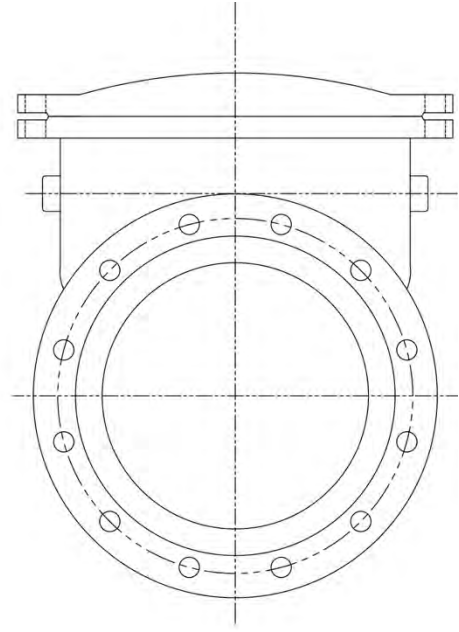
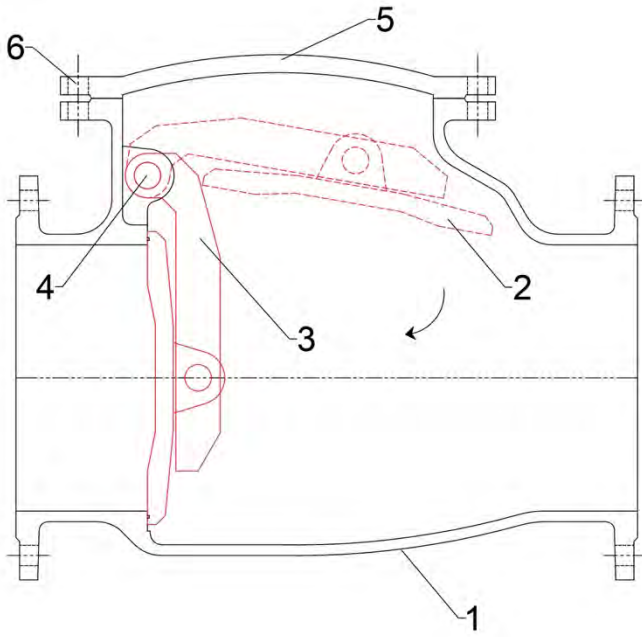
OPTIONAL

- DN > 1000
- PN > 16
- Stainless steel disk and body
- Adjustable and replaceable EPDM sealing ring

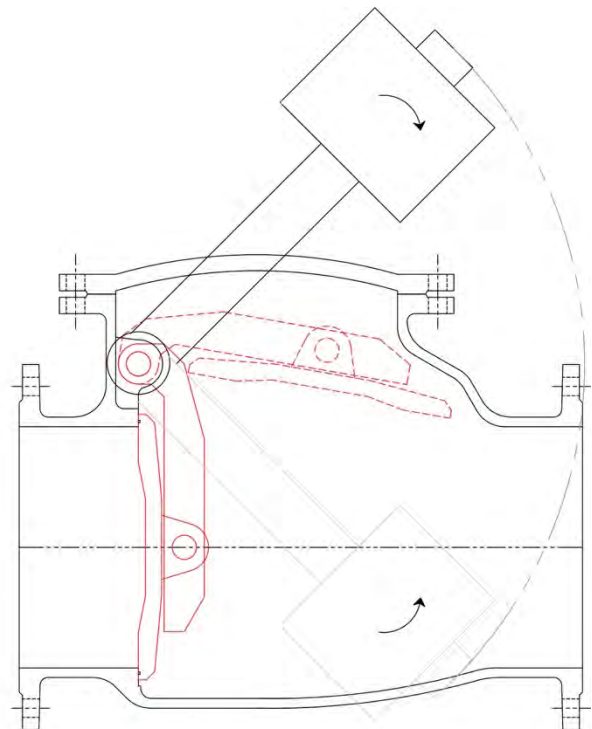
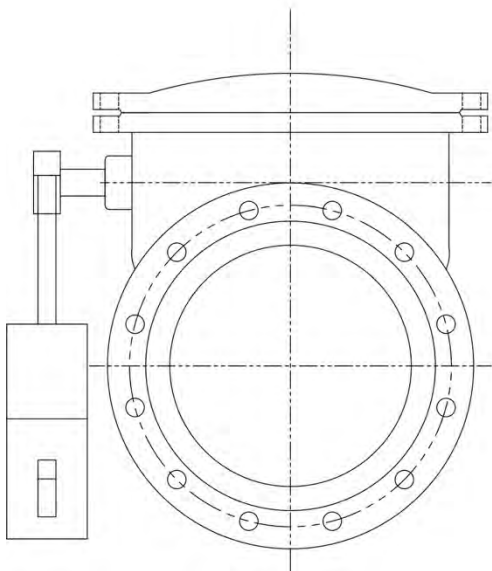
CORROSION PROTECTION

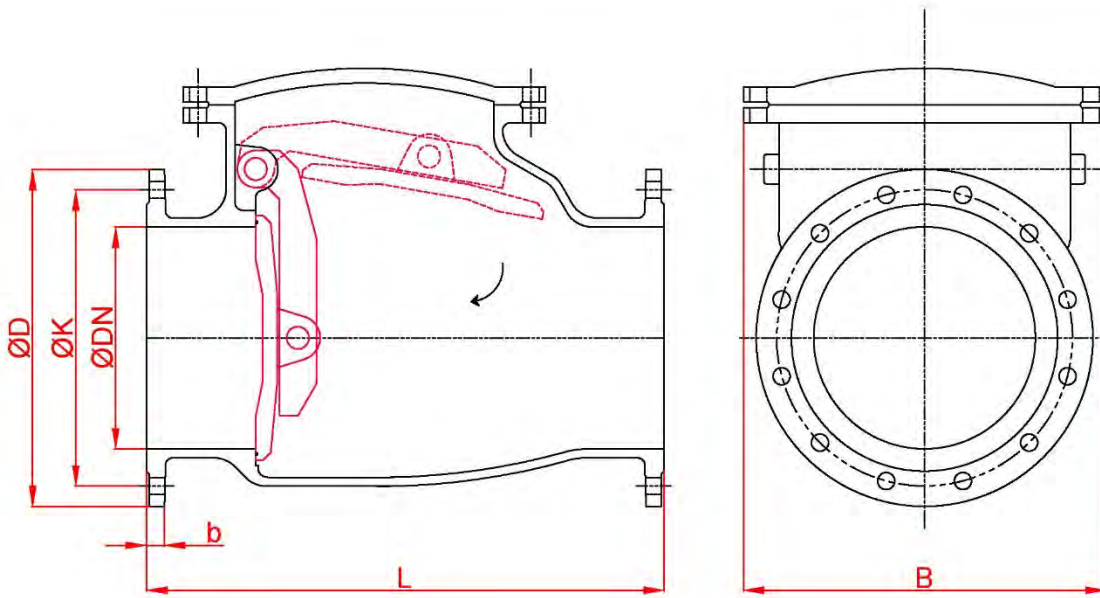
- Electrostatic Powder Coating for Drinking Water
- Zinch – Rich Epoxy Primer
- Coal – Tar Epoxy
- Glass Flake Epoxy
- Enamel Epoxy for Ultraviolet
- Completely Stainless Steel Design
- Ebonite Coating for Seawater



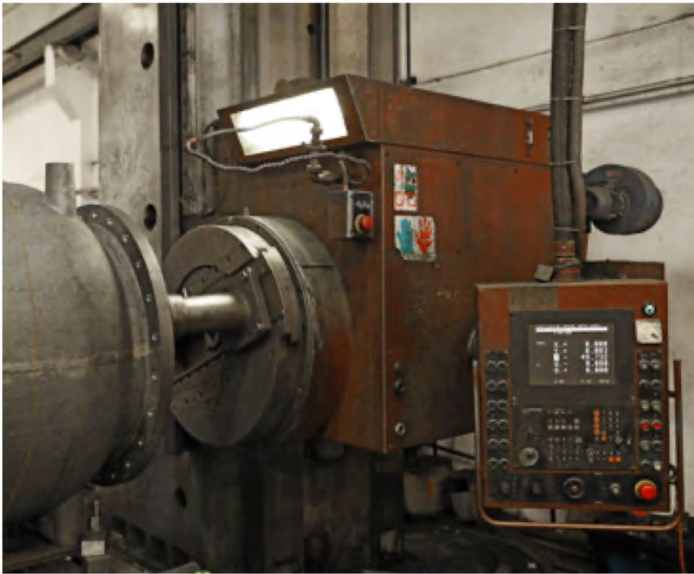


NO	PART NAME	MATERIAL
1	BODY	GJS 400.15/GJS 500.7/AISI3104/AISI316
2	DISC	GJS 400.15/GJS 500.7/AISI3104/AISI316
3	DISC HANDLE	GJS 400.15/GJS 500.7/AISI3104/AISI316
4	SHAFT	AISI 420 Stainless Steel
5	BODY TOP COVER	GJS 400.15/GJS 500.7/AISI3104/AISI316
6	BOLTS AND NUTS	A2 Stainless Steel
7	BEARING	BRONZE





PN 10								PN 16						
DN	L	D	K	No. of Holes	d	b	Weight (kg)	L	D	K	No. of Holes	d	b	Weight (kg)
40	180	150	110	4	19	19	12	180	150	110	4	19	19	12
50	200	165	125	4	19	19	14	200	165	125	4	19	19	14
65	230	185	145	4	19	19	23	230	185	145	4	19	19	23
80	260	200	160	8	19	19	29	260	200	160	8	19	19	29
100	300	220	180	8	19	19	44	300	220	180	8	19	19	44
125	350	250	210	8	19	19	60	350	250	210	8	19	19	6*
150	400	285	240	8	23	19	76	400	285	240	8	23	19	76
200	500	340	295	8	23	20	130	500	340	295	12	23	20	130
250	600	400	350	12	23	22	185	600	400	355	12	28	22	185
300	700	455	400	12	23	24,5	270	700	455	410	12	28	24,5	270
350	800	505	460	16	23	24,5	355	800	520	470	16	28	26,5	355
400	900	565	515	16	28	24,5	480	900	580	525	16	31	28	480
500	1100	670	620	20	28	26,5	750	1100	715	650	20	34	31,5	750
600	1300	780	725	20	31	30	1025	1300	840	770	20	37	36	1025
700	1500	895	840	24	31	32,5	1565	1500	910	840	24	37	39,5	1565
800	1700	1015	950	24	34	35	2175	1700	1025	950	24	40	43	2175
900	1900	1115	1050	28	34	37,5	2980	1900	1125	1050	28	40	46,5	2980
1000	2100	1230	1160	28	37	40	3780	2100	1255	1170	28	43	50	3780



Our Products



Butterfly Valve



Plunger Valve



Tilting Check Valve



Nozzle Check Valve



Dismantling Joint



Submersible Mixed Flow Column Type Pump



Hydraulic Controlled Check Butterfly Valve



Strainer - Y - Type / Inline - Basket Type



Swing Check Valve



Knife Gate Valve



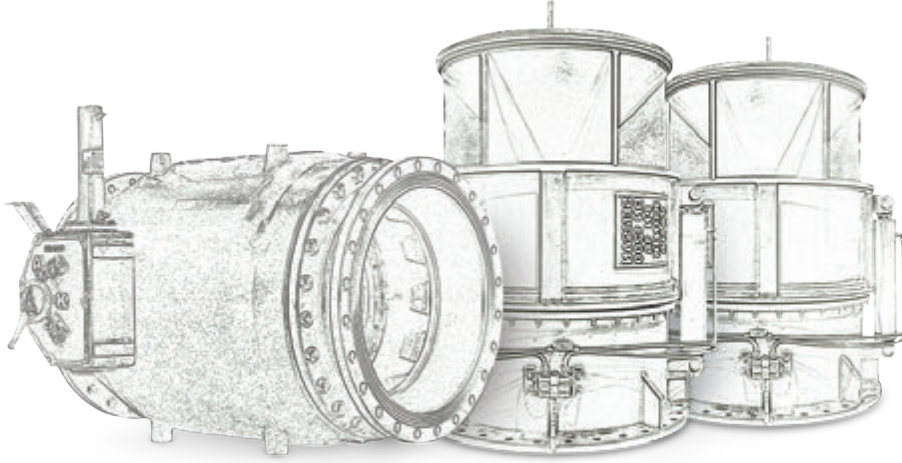
Hollow Jet Valve / Gate Valve



Submersible Sewage Pump



PUMP, VALVE & DAM
EQUIPMENTS
PRODUCT CATALOGUE



SEMSAN POMPA MAKİNA SANAYİ VE TİCARET LTD. ŞTİ.

Adres : Organize Sanayi Bölgesi Erdođan Cebeci Bulvarı.
No:42/B Kutlukent / SAMSUN / TURKEY
Phone : +90 362 266 88 33
Fax : +90 362 266 88 58
E-mail : semsan@semsan.com.tr
Web : www.semsan.com.tr

