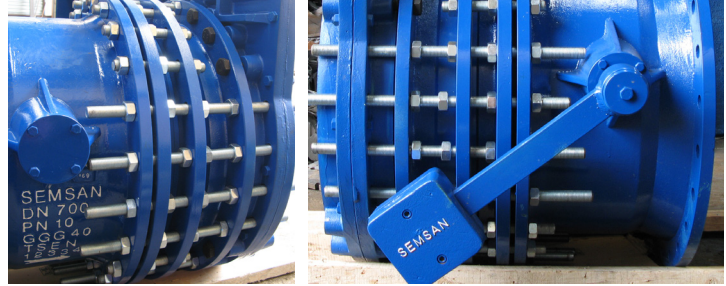
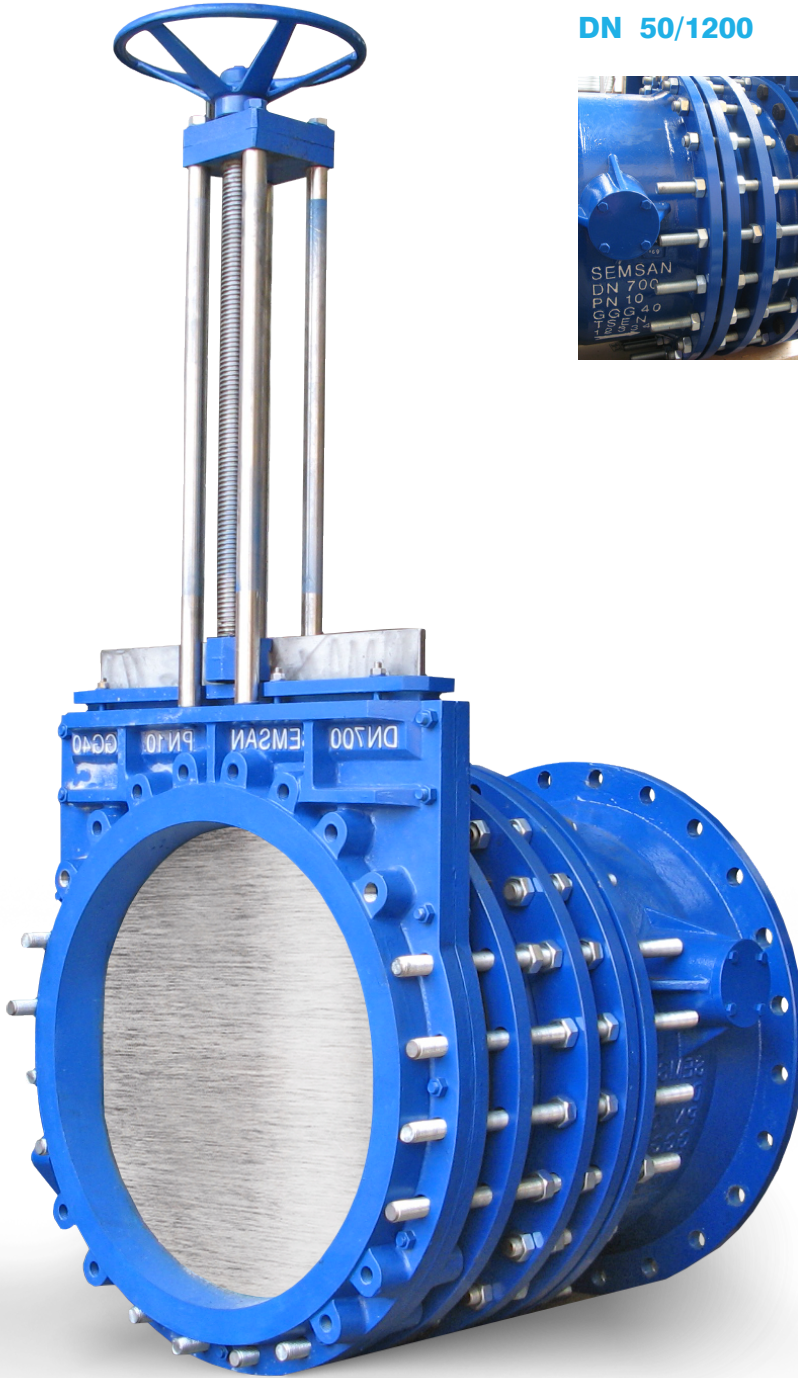


**PUMP, VALVE AND DAM  
EQUIPMENT  
KNIFE GATE VALVE**



# KNIFE GATE VALVE

DN 50/1200



## DESIGN

- Face to Face Dimensions TS EN 558 – 1 Series 20 /(DIN3202 / K1)
- Flanges TS EN 1092 – 2, PN10
- Wafer Type
- Non Rising Design
- Hand operated

## OPTIONAL

- Electrical Control
- Pneumatic Control
- Hydraulic Control

## MATERIAL

- Body : GJS 400-15
- Sliding (Knife) : Stainless Steel 1.4301
- Selaing : U and Horizontal EPDM

## CONTROL

- Hand Operated
- Electrical Motor Controlled
- Pneumatic or Hydraulic Controlled

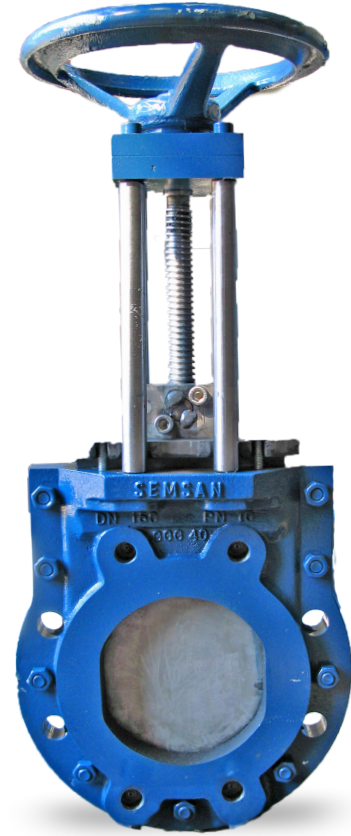
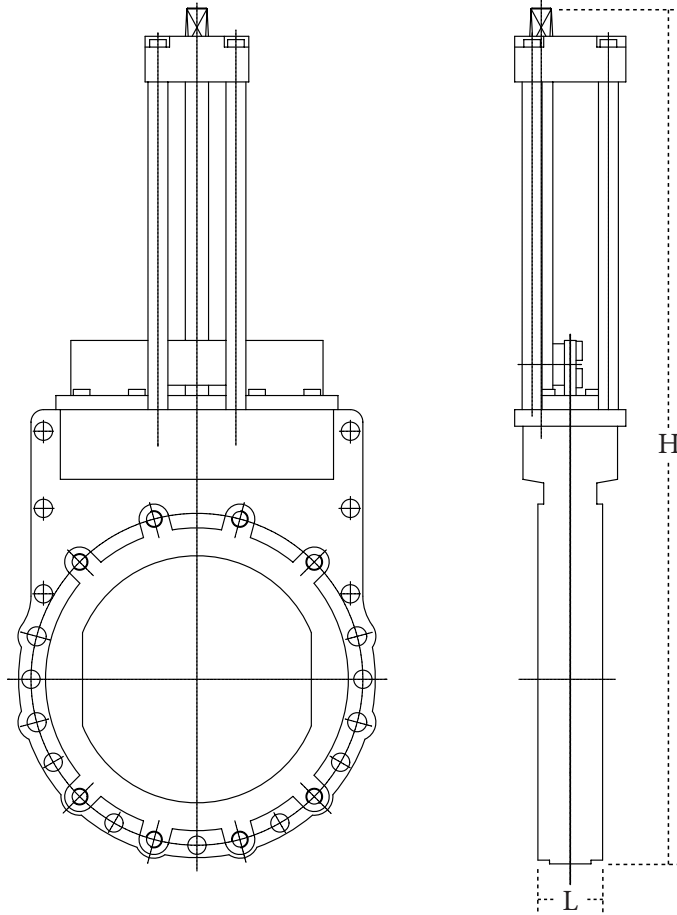
## CORROSION PROTECTION

- Electrostatic Powder Coating for Drinking Water
- Zinch – Rich Epoxy Primer
- Coal – Tar Epoxy
- Glass Flake Epoxy
- Enamel Epoxy for Ultraviolet
- Completely Stainless Steel Design
- Ebonite Coating for Seawater

## LAST QUALITY CONTROL EN 12266 – 1 CLASS A

Nominal Diameter (DN)	Nominal Pressure PN kg / cm <sup>2</sup>	Hydrostatic Test Pressure	
		Body	Sealing
50.....350	10	15	10
400.....600	4	6	4
700.....1200	2,5	3,75	2,5

\* All of dimensions and explanations has been given for information. SEMSAN reserve right to keep change all them off.

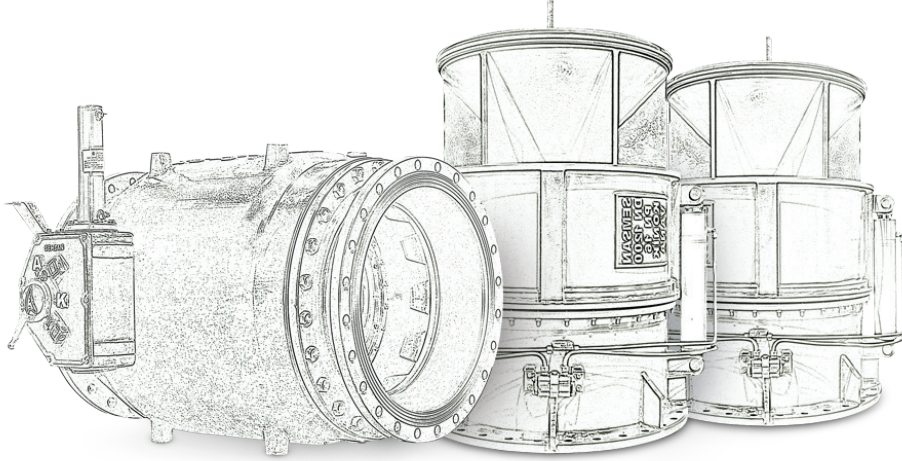


Nominal Dia. (DN)	L F to F	H Height	D Volant	Mass (Kg)
50	43	330	200	10
65	46	350	200	11
80	46	385	200	13
100	52	425	225	17
125	56	465	225	20
150	56	510	250	25
200	60	600	320	40
250	68	720	320	65
300	78	840	400	100
350	78	940	400	135
400	102	1020	400	165
500	127	1270	500	255
600	154	1450	500	370
700	165	1770	500	600
800	190	1940	500	750
900	203	2150	500	870
1000	216	2350	500	1230
1200	254	2650	500	1840

\* All of dimensions and explanations has been given for information. SEMSAN reserve right to keep change all them off.



PUMP, VALVE & DAM  
EQUIPMENTS  
PRODUCT CATALOGUE



**SEMSAN POMPA MAKİNA SANAYİ VE TİCARET LTD. ŞTİ.**

Adres : Organize Sanayi Bölgesi Erdoğan Cebeci Bulvarı.  
No:42/B Kutlukent / SAMSUN / TURKEY  
Phone : +90 362 266 88 33  
Fax : +90 362 266 88 58  
E-mail : [semsan@semsan.com.tr](mailto:semsan@semsan.com.tr)  
Web : [www.semsan.com.tr](http://www.semsan.com.tr)

