

**PUMP, VALVE AND DAM  
EQUIPMENT  
STRAINERS**

# Y-TYPE STRAINER

DN 150/600 | PN 10/ 16/ 25



## APPLICATION

- Entrance of control valves
- Drinking water treatment plants

## DESIGN

- Body is 65° horizontal to flow
- Flanges DIN EN1092
- PN 10/16/25
- Perforated filter is stainless steel
- There is a plug for cleaning residuals dirty on the filter

## MATERIAL

- Body ductile iron GGG-40/50
- Filter is stainless steel
- Flange connection bolts are galvanized steel

## OPTIONAL

- DN > 600
- Manometers are input and output of strainer
- Discharge valve on blind flanges
- All of body stainless steel

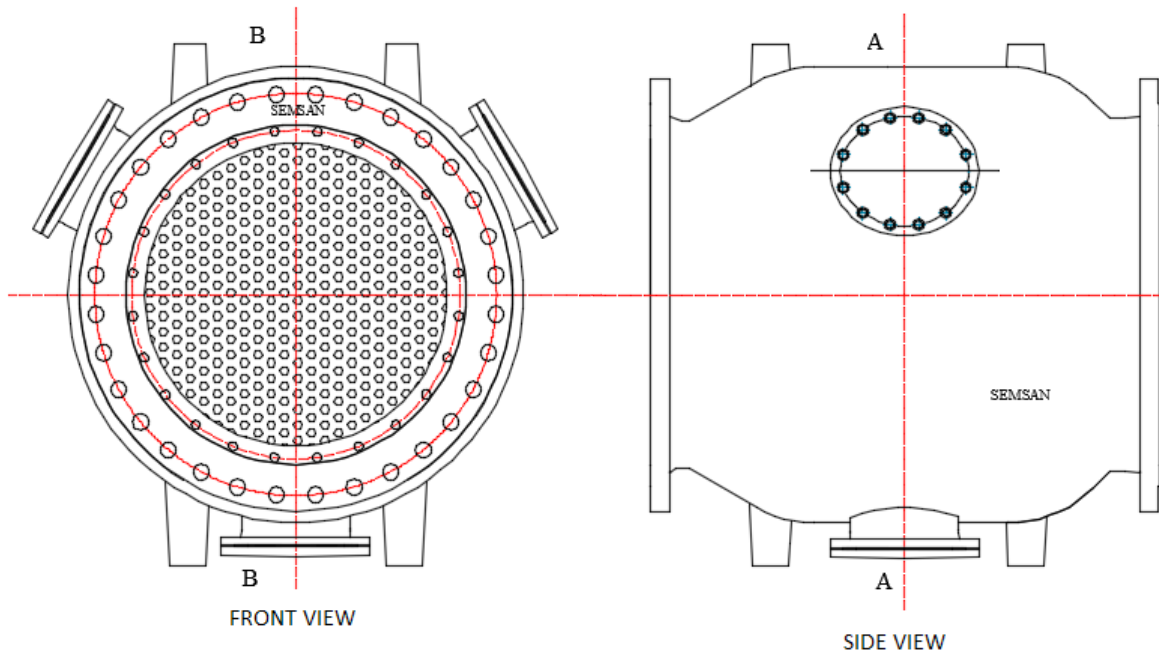
## CORROSION PROTECTION

- Electrostatic Powder Coating for Drinking Water
- Zinch – Rich Epoxy Primer
- Coal – Tar Epoxy
- Glass Flake Epoxy
- Enamel Epoxy for Ultraviolet
- Completely Stainless Steel Design
- Ebonite Coating for Seawaater



# INLINE STRAINER

DN 700/1400 | PN 10/ 16/ 25



## APPLICATION

- Entrance of Control Valves
- Drinking water treatment plants

## DESIGN

- Designed in parallel with the flow
- Flanges DIN EN 1092
- Suitable for PN 10/16/25
- Stainless steel perforated filter
- Filter without removing the valve or line , allowing clear all the accumulated sediment compact design
- Two input for clean water filter cleaning
- Sewage outlet cover under valve

## MATERIAL

- Body ductile iron GGG-40/50
- Filter is stainless steel
- Flange connection bolts are galvanized steel

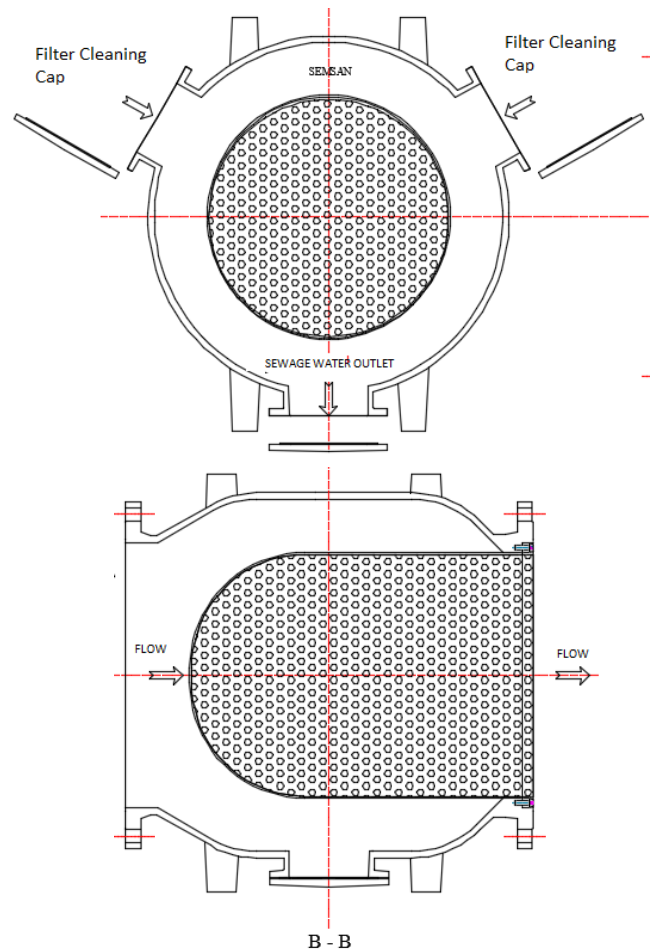
## OPTIONAL

- DN > 1400
- Manometers are input and output of strainer
- Discharge valve on blind flanges
- All of body stainless steel

## CORROSION PROTECTION

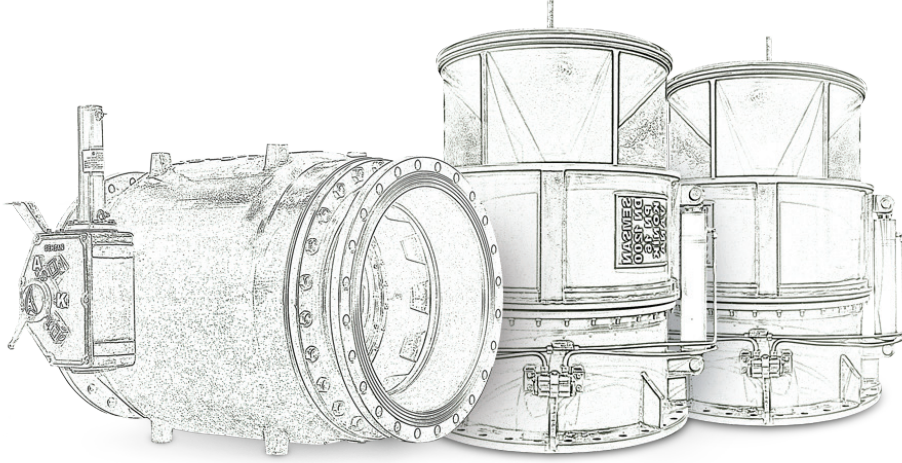
- Electrostatic Powder Coating for Drinking Water
- Zinch – Rich Epoxy Primer
- Coal – Tar Epoxy
- Glass Flake Epoxy
- Enamel Epoxy for Ultraviolet
- Completely Stainless Steel Design
- Ebonite Coating for Seawaater

## OPERATION DETAILS





PUMP, VALVE & DAM  
EQUIPMENTS  
PRODUCT CATALOGUE



**SEMSAN POMPA MAKİNA SANAYİ VE TİCARET LTD. ŞTİ.**

Adres : Organize Sanayi Bölgesi Erdoğan Cebeci Bulvarı.  
No:42/B Kutlukent / SAMSUN / TURKEY  
Phone : +90 362 266 88 33  
Fax : +90 362 266 88 58  
E-mail : [semsan@semsan.com.tr](mailto:semsan@semsan.com.tr)  
Web : [www.semsan.com.tr](http://www.semsan.com.tr)

