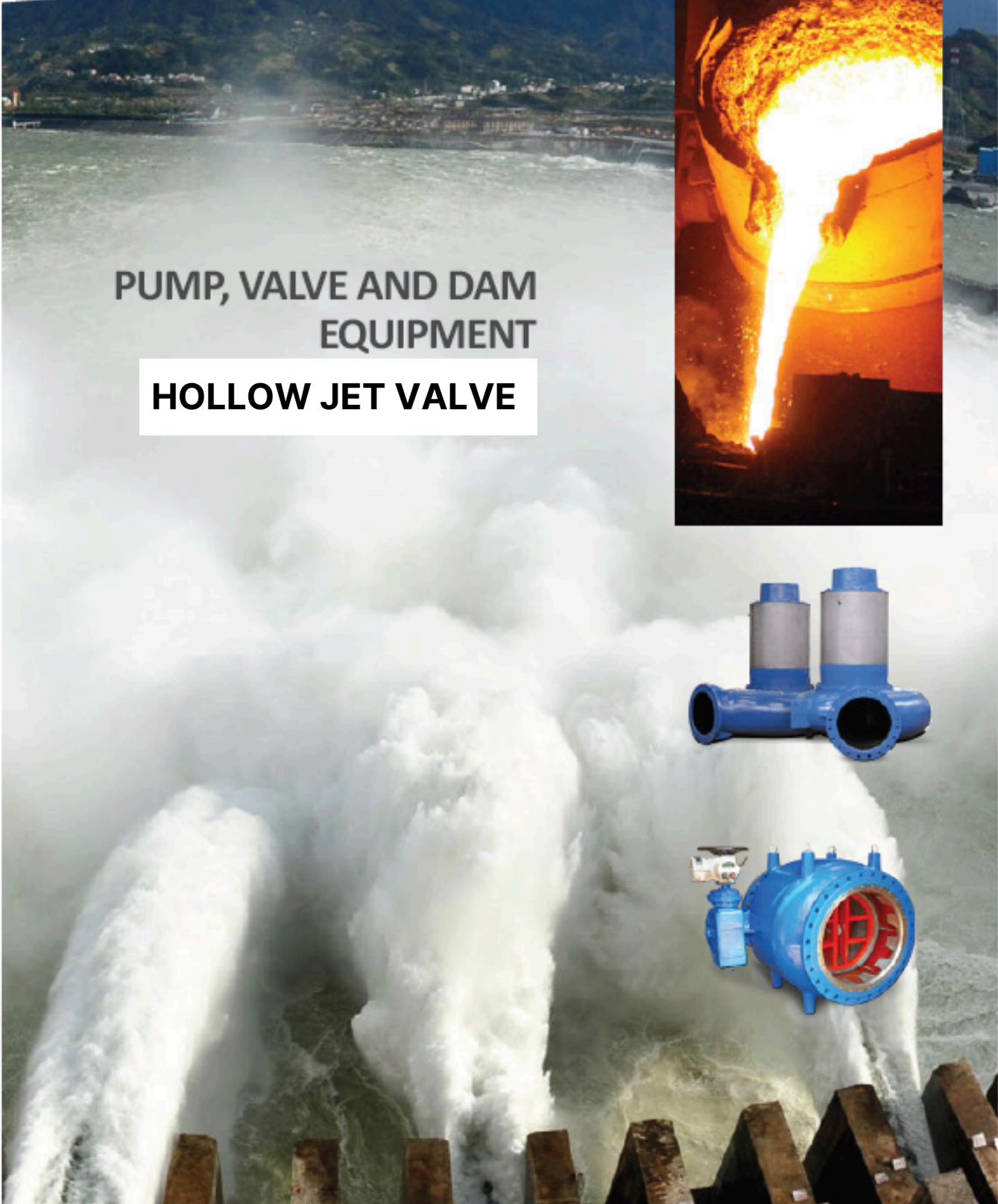


PUMP, VALVE AND DAM
EQUIPMENT

HOLLOW JET VALVE



Since 1984, SEMSAN PUMP is main mechanical equipment and specific process pumps manufacturer for most important projects of Turkey. SEMSAN is most wanted company in Turkey market when SEMSAN PUMP established.

SEMSAN PUMP relocated in Samsun organized industrial zone at 2002 for growing marketing requests.

SEMSAN PUMP has 5000m2 work field in Samsun Industrial zone. Our company has 2x2000 kg. + 2x750 kg. Inducto therm brand twin induction furnaces. We can offer our brands manufacturing and high-tech forming and induction equipment's we can produce stainless steel and ductile products.

SEMSAN PUMP has TSE certificates on all products and all processes have to obey TSE ISO 9001:2008, TSE-EN-ISO 14001, İSG-OHSAS TS18001 quality management.

SEMSAN PUMP also has European CE Declaration of conformity for pumps and valves.

SEMSAN PUMP has innovative perspective, daily gaining new features on our company. Also SEMSAN PUMP check updates and newest products in the marketing world wide and keeps updating and upgrading self.

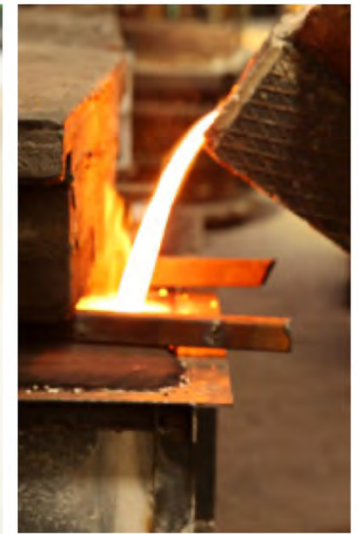
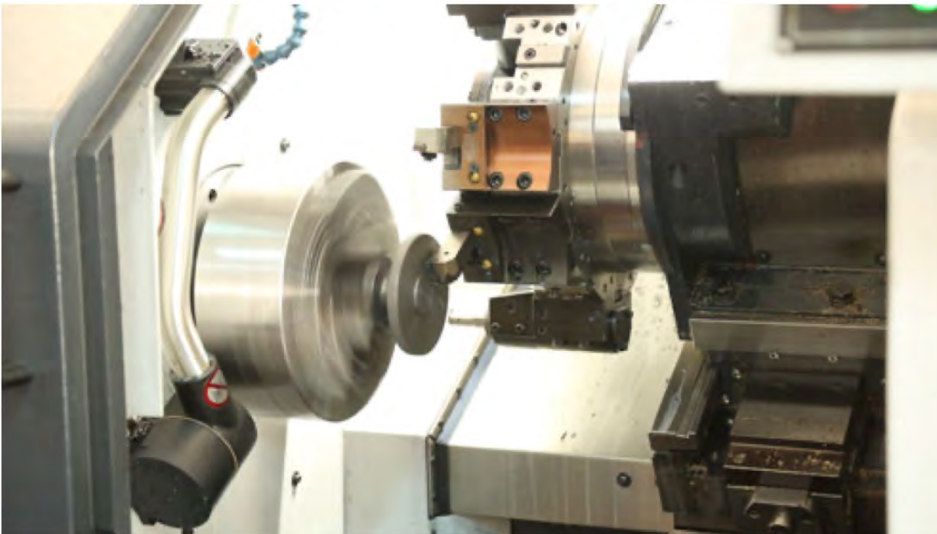
CERTIFICATION

- K-Q TSE ISO EN 9000 QUALITY MANAGEMENT SYSTEM
- TSE İSG-OHSAS TS 18001 HEALTH AND SAFETY MANAGEMENT SYSTEM
- Ç-E TSE-ISO-EN 14000 ENVIROMENTAL MANAGEMENT SYSTEM
- TS EN 593 BUTTERFLY VALVE
- TS EN 12334 CHECK VALVE
- TS 12599 SUBMERSIBLE SEWAGE PUMP
- TSE K 461 DISMANTLIG JOINT
- 97/23/EC PRESSURE EQUIPMENT CASTING CERTIFICATE
- CE DECLARATION OF CONFORMITY ABOUT PUMPS
- TS 12873 SERVICE QUALIFICATION CERTIFICATE - PUMPS
- TS 12844 SERVICE QUALIFICATION CERTIFICATE - VALVE
- WRAS - COATING AND EPDM SEALING SUITABLE FOR DRINKING WATER



MANUFACTURING

- FOUNDRY; 2x2000 kg + 2x750 kg Inductotherm Induction Furnace
- CNC Machining Department
- Electrostatic Epoxy Coating Line
- Double Compound Wet Epoxy Line
- Quality Control
- Material Laboratory: Spectrometer, Tensile Strength Test Machine, Microstructure Analysis Microscope, Hardness Tests
- Hydrostatic Pressure Tests for EN 12266 -1,2
- Pump Performance Tests for ISO 9906
- Material Certification for EN 10204 3.1
- Coating Thickness, Pull of and Spark Test
- Surface Roughness Tests



HOLLOW JET VALVE (Conical Valve)

DN300 - 2000 | PN10 - 16

Two – part control valve insisting of a body and sleeve cylinder.
End of line and bottom outlet discharge valve



DESIGN

- Flanges are EN 1092
- Axial symmetrical flow direction
- High discharge capacity
- Special sealing between cylindrical sleeve and body (soft seal)
- Body surface stainless steel coating
- Low operation force
- Double cylinder hydraulic control mechanism

MATERIAL

- Body and sleeve pipe is steel construction EN12516-1
- Sleeve-mainbody contact surface stainless steel
- Special profile EPDM sealing ring

OPTIONAL

- DN > 2000
- PN > 16
- Pipeline fittings (welded design)

CORROSION PROTECTION

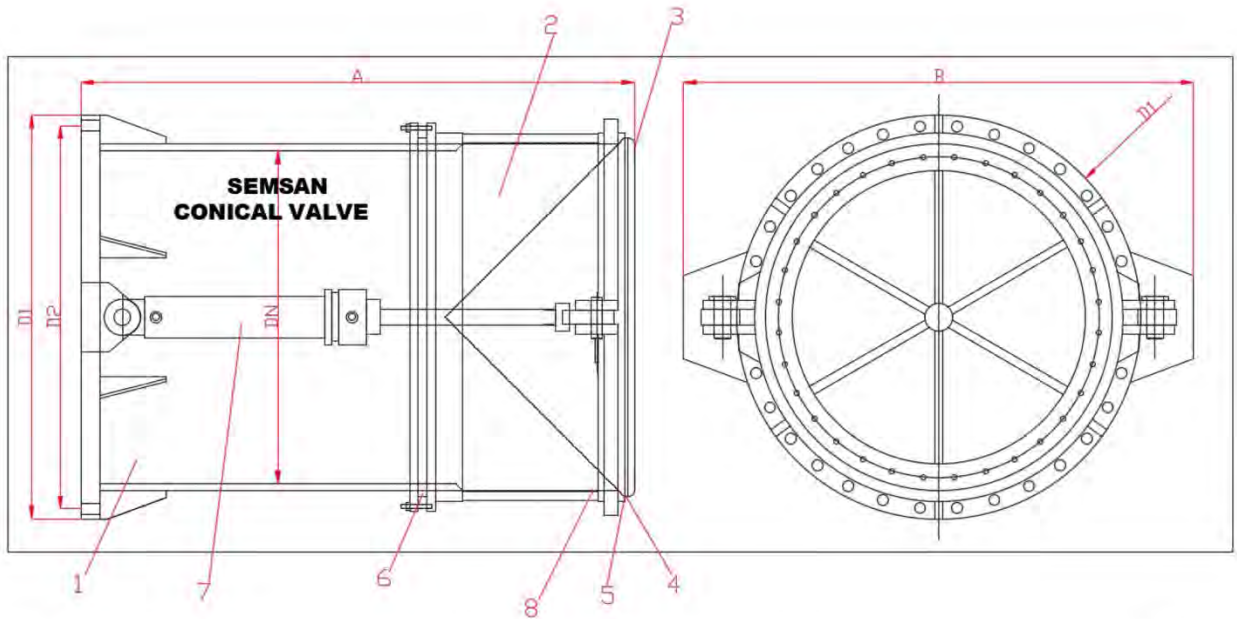
- Epoxy coating for drinking water
- Zinch rich epoxy primer
- Coal-tar epoxy coating



LAST QUALITY CONTROL EN 12266 – 1 CLASS A

Nominal Diameter (DN)	Nominal Pressure PN kg / cm ²	Test Pressure Body	Max Pressure for Temperature 50 °C
300.....2000	10	15	10
300.....2000	16	24	16

* All of dimensions and explanations has been given for information. SEMSAN reserve right to keep change all them off.



SEMSAN CONICAL VALVE MATERIAL LIST			
NO	PART NAME	MATERIAL	PIECE
1	Body	S235 JR (ST-37)	1
2	Adjusting sleeve	S235 JR (ST-37)	1
3	Sealing ring	S235 JR (ST-37)	1
4	Sealing rubber	EPDM	1
5	Sealing surface	AISI304 Stainless Steel	1
6	Salmastra Sealing ring	S235 JR (ST-37)	1
7	Hydraulic cylinder		2
8	Piston inner sealing surface	AISI304 Stainless Steel	1

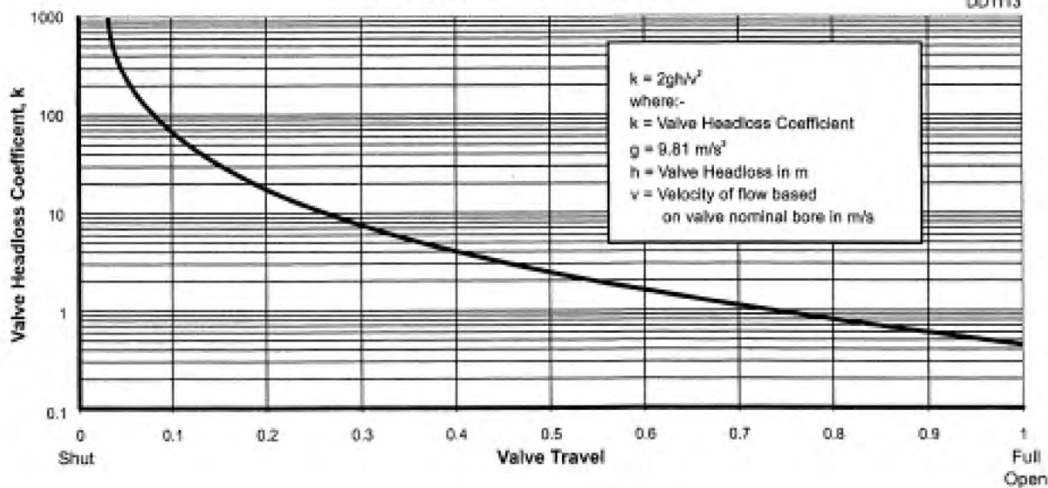
SEMSAN CONICAL VALVE DIMENSIONS TABLE							
(DN - PN)	A	B	D1	D2	Number of bolts	Bolts diameter	(KG)
DN400 PN10	750	760	565	515	16	M24	600
DN500 PN10	1000	1000	670	620	20	M24	800
DN600 PN10	1250	1120	780	725	20	M27	1200
DN700 PN10	1500	300	895	840	24	M27	1600
DN800 PN10	1650	1440	1015	950	24	M30	2000
DN900 PN10	1800	1540	1115	1050	28	M30	2400
DN1000 PN10	1900	1650	1230	1160	28	M33	2800
DN1200 PN10	2000	1850	1455	1380	32	M36	4000
DN1400 PN10	2150	1970	1675	1590	36	M39	5200
DN1500 PN10	2250	2070	1785	1700	36	M39	6000

NOTE: Please contact for different diameters. Conical valves are manufactured with a special design. The dimensions in the manufacturing projects to be prepared according to the operating pressure and conditions may differ from the table above.

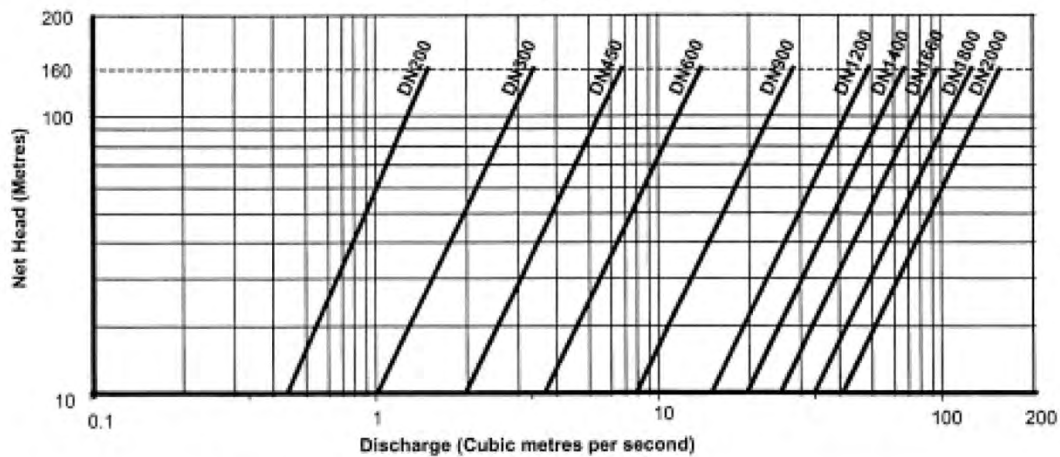


Sleeve Type Free Discharge Valve

DD1113



Valve Selection Chart



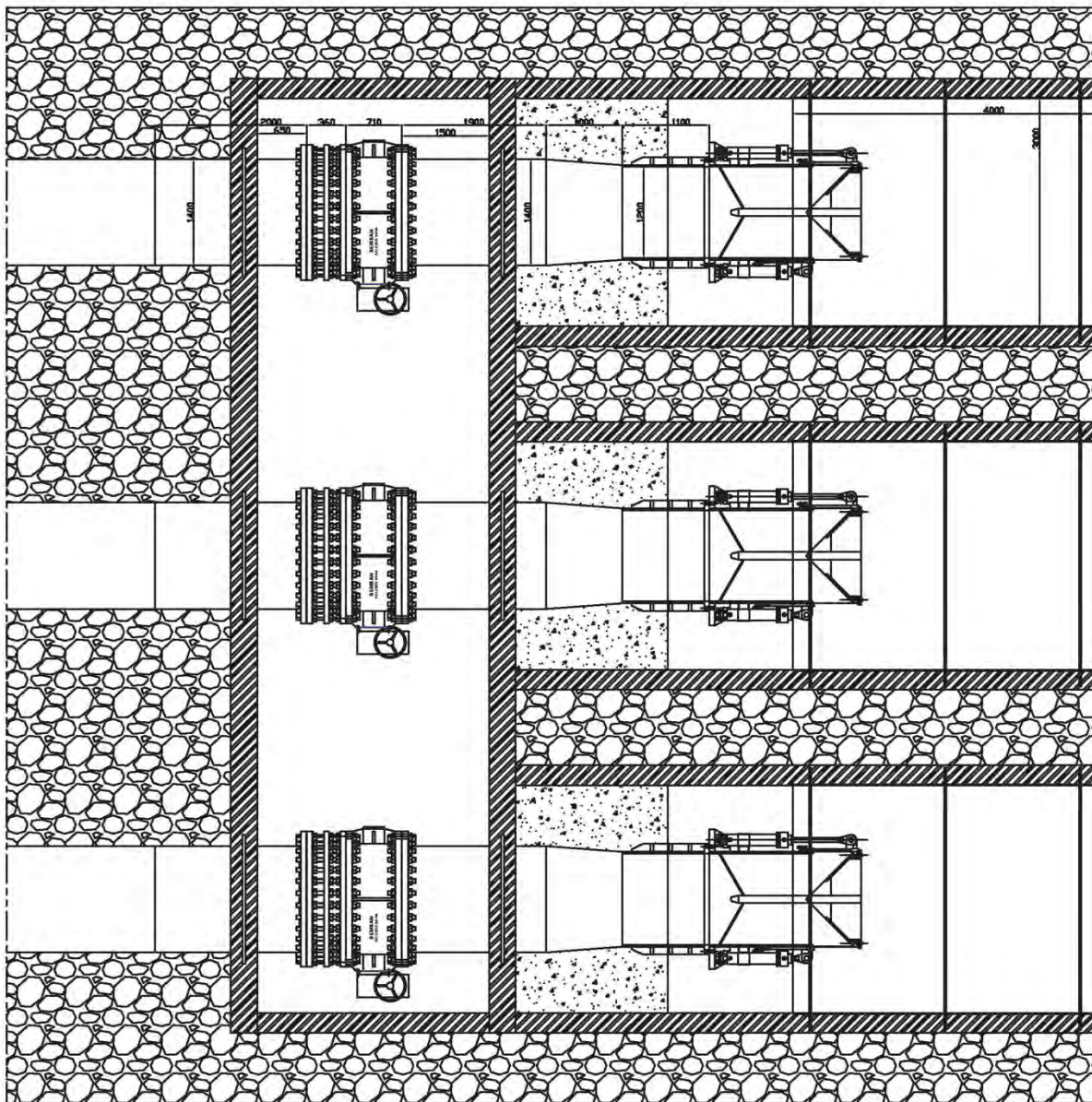
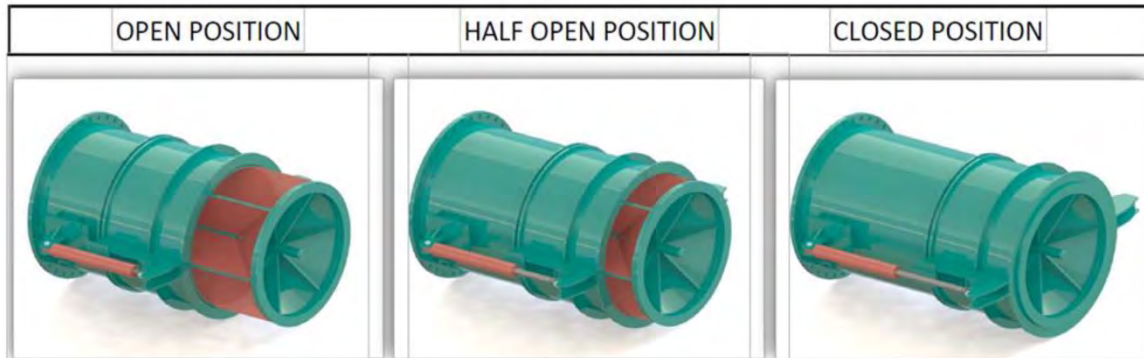
$$Q = C \times \sqrt{2gH} \times A$$

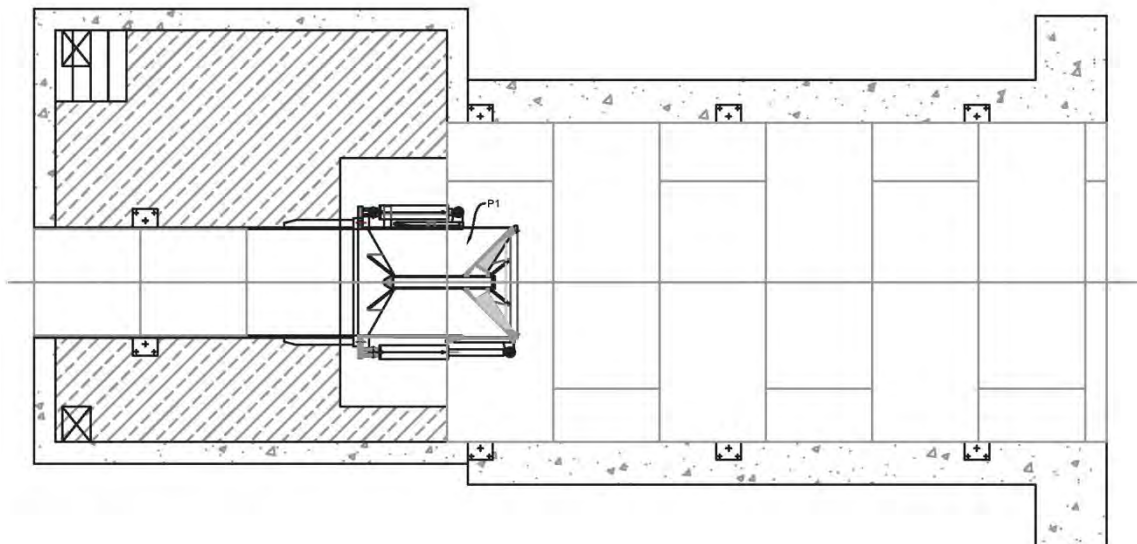
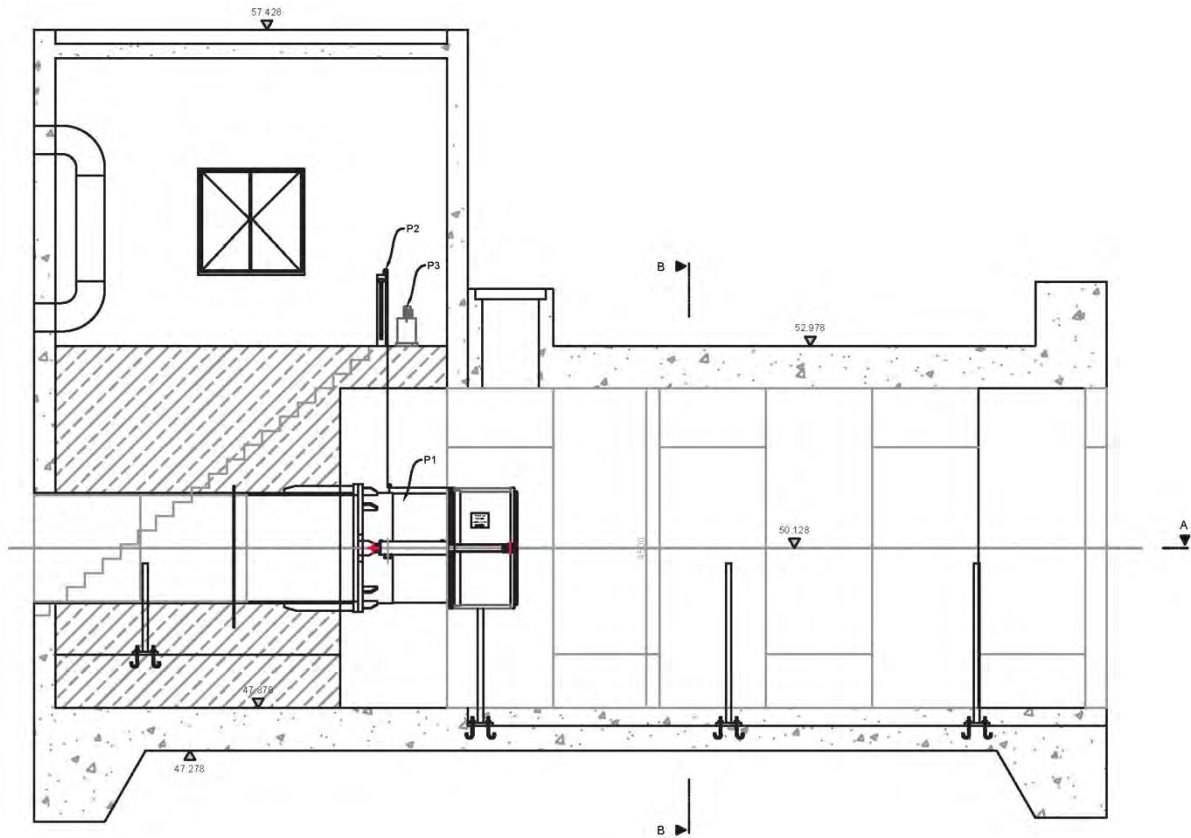
C = Coefficient of discharge with the valve full open (0.83)

g = 9,8 m/s²

H = Net head in metres (m)

A = Area of the valve based on the nominal valve diameter (m²)









Our Products



Butterfly Valve



Plunger Valve



Tilting Check Valve



Nozzle Check Valve



Dismantling Joint



Submersible Mixed Flow Column Type Pump



Hydraulic Controlled Check Butterfly Valve



Strainer - Y - Type / Inline - Basket Type



Swing Check Valve



Knife Gate Valve



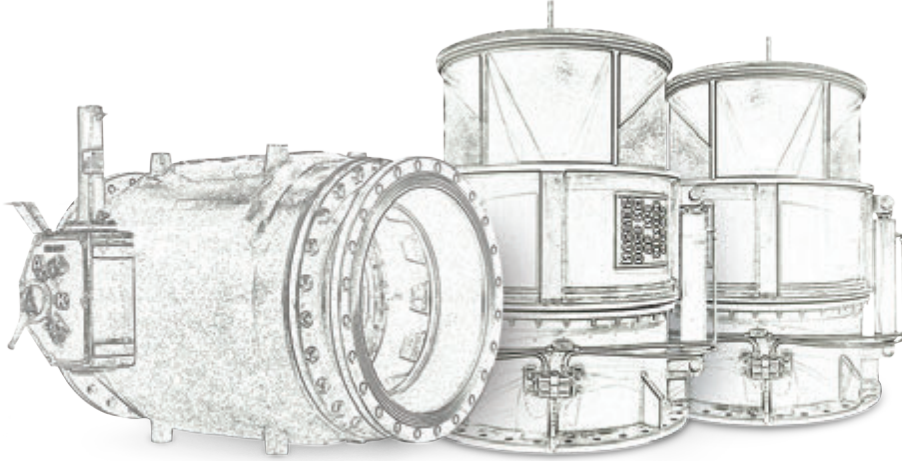
Hollow Jet Valve / Gate Valve



Submersible Sewage Pump



PUMP, VALVE & DAM
EQUIPMENTS
PRODUCT CATALOGUE



SEMSAN POMPA MAKİNA SANAYİ VE TİCARET LTD. ŞTİ.

Adres : Organize Sanayi Bölgesi Erdođan Cebeci Bulvarı.
No:42/B Kutlukent / SAMSUN / TURKEY
Phone : +90 362 266 88 33
Fax : +90 362 266 88 58
E-mail : semsan@semsan.com.tr
Web : www.semsan.com.tr

