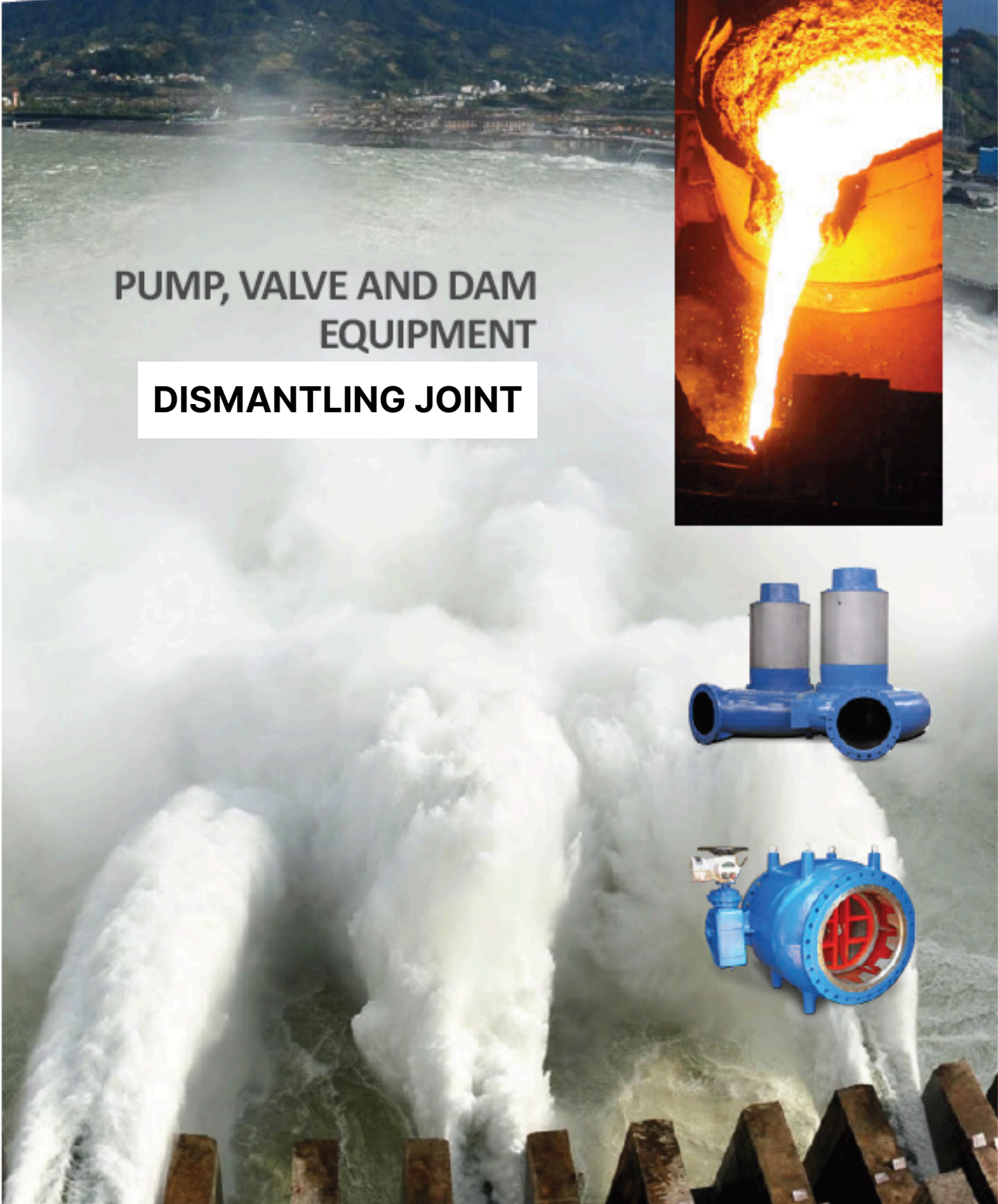


PUMP, VALVE AND DAM  
EQUIPMENT

**DISMANTLING JOINT**



Since 1984, SEMSAN PUMP is main mechanical equipment and specific process pumps manufacturer for most important projects of Turkey. SEMSAN is most wanted company in Turkey market when SEMSAN PUMP established.

SEMSAN PUMP relocated in Samsun organized industrial zone at 2002 for growing marketing requests.

SEMSAN PUMP has 5000m2 work field in Samsun Industrial zone. Our company has 2x2000 kg. + 2x750 kg. Inducto therm brand twin induction furnaces. We can offer our brands manufacturing and high-tech forming and induction equipment's we can produce stainless steel and ductile products.

SEMSAN PUMP has TSE certificates on all products and all processes have to obey TSE ISO 9001:2008, TSE-EN-ISO 14001, İSG-OHSAS TS18001 quality management.

SEMSAN PUMP also has European CE Declaration of conformity for pumps and valves.

SEMSAN PUMP has innovative perspective, daily gaining new features on our company. Also SEMSAN PUMP check updates and newest products in the marketing world wide and keeps updating and upgrading self.

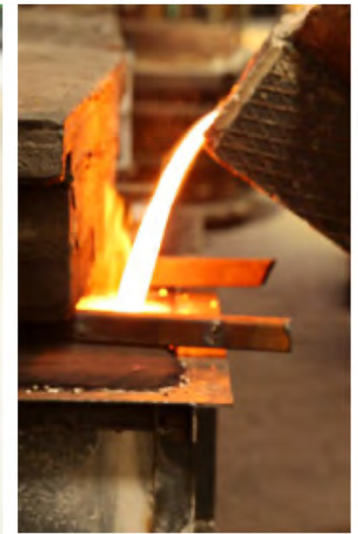
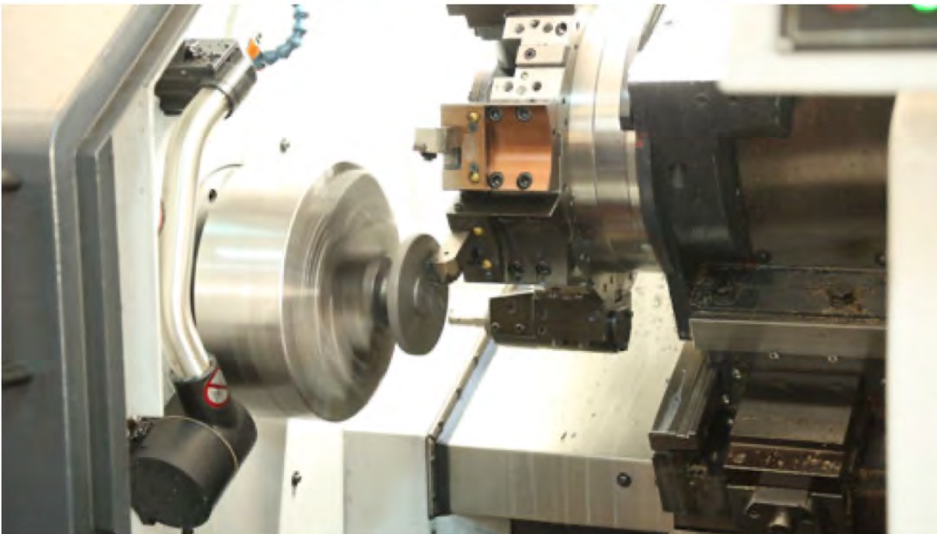
## CERTIFICATION

- K-Q TSE ISO EN 9000 QUALITY MANAGEMENT SYSTEM
- TSE İSG-OHSAS TS 18001 HEALTH AND SAFETY MANAGEMENT SYSTEM
- Ç-E TSE-ISO-EN 14000 ENVIROMENTAL MANAGEMENT SYSTEM
- TS EN 593 BUTTERFLY VALVE
- TS EN 12334 CHECK VALVE
- TS 12599 SUBMERSIBLE SEWAGE PUMP
- TSE K 461 DISMANTLIG JOINT
- 97/23/EC PRESSURE EQUIPMENT CASTING CERTIFICATE
- CE DECLARATION OF CONFORMITY ABOUT PUMPS
- TS 12873 SERVICE QUALIFICATION CERTIFICATE - PUMPS
- TS 12844 SERVICE QUALIFICATION CERTIFICATE - VALVE
- WRAS - COATING AND EPDM SEALING SUITABLE FOR DRINKING WATER



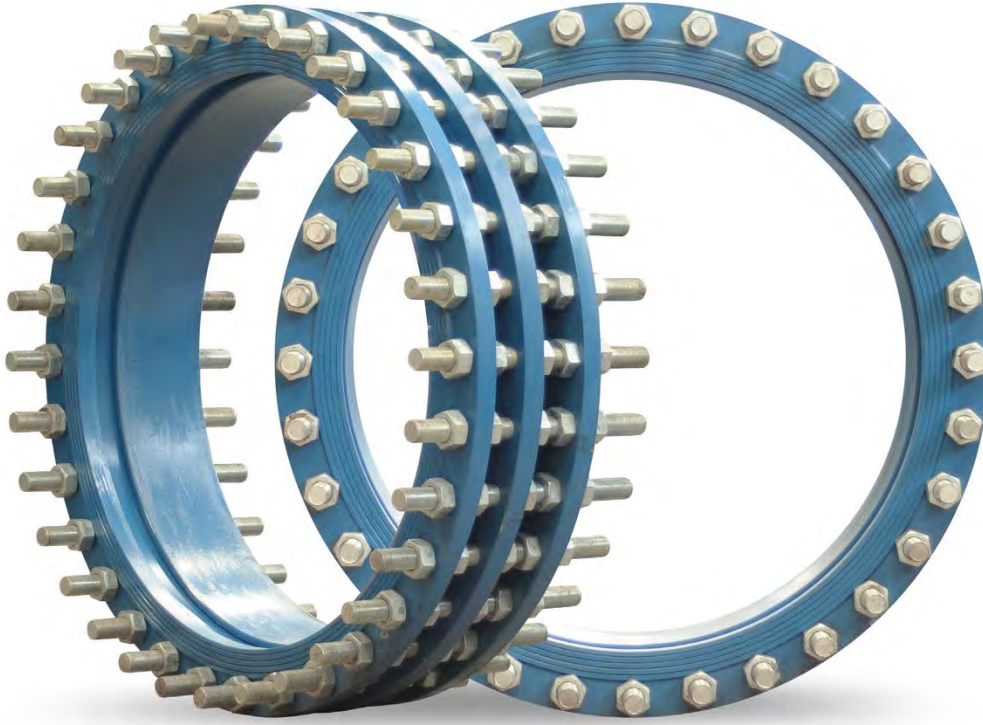
## MANUFACTURING

- FOUNDRY; 2x2000 kg + 2x750 kg Inductotherm Induction Furnace
- CNC Machining Department
- Electrostatic Epoxy Coating Line
- Double Compound Wet Epoxy Line
- Quality Control
- Material Laboratory: Spectrometer, Tensile Strength Test Machine, Microstructure Analysis Microscope, Hardness Tests
- Hydrostatic Pressure Tests for EN 12266 -1,2
- Pump Performance Tests for ISO 9906
- Material Certification for EN 10204 3.1
- Coating Thickness, Pull of and Spark Test
- Surface Roughness Tests



## DISMANTLING JOINT

DN 80/2800 | PN 10/ 16/ 25/ 40/ 64



### DESIGN

- TS K 461
- Flanges according to DIN EN1092
- Easily fixing to valves
- Three parts body design
- Movement Capability  $\pm 25$ mm
- Maximum operating temperature 50°C

### MATERIAL

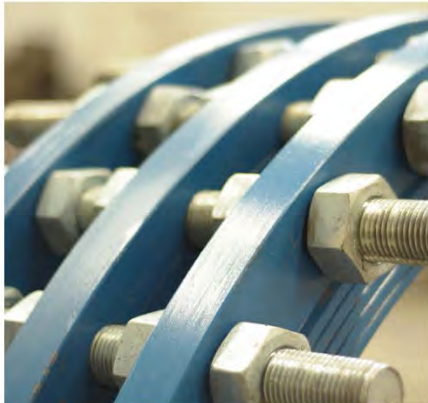
- Body ductile iron GGG 40/50
- EPDM sealing ring
- Galvanized bolts and nuts

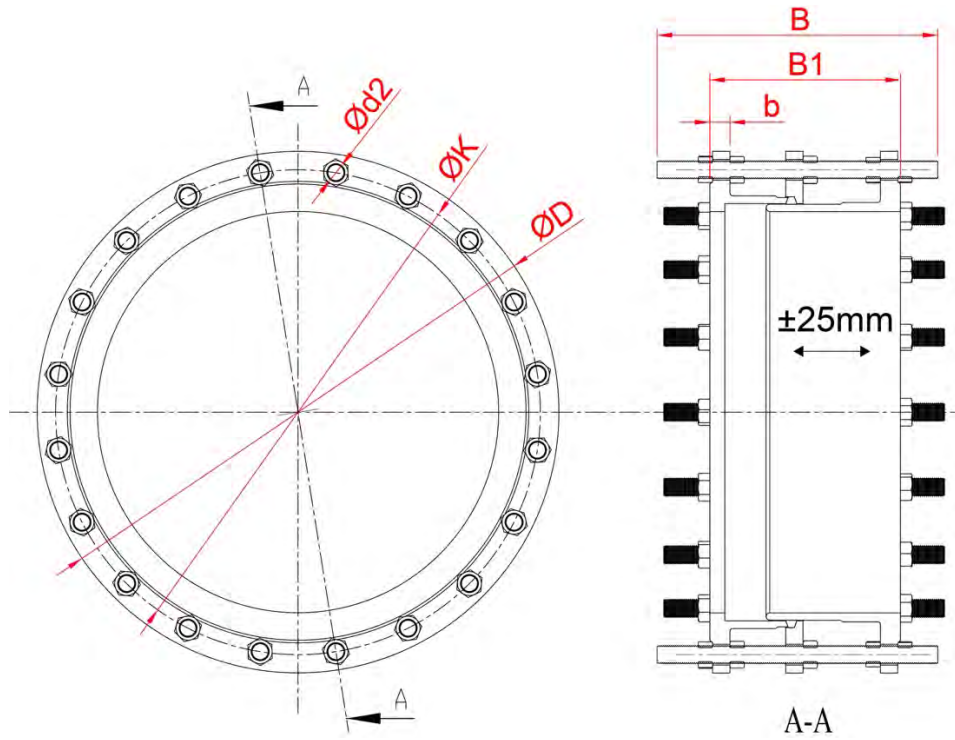
### OPTIONAL

- DN > 2800
- Stainless steel body parts
- Bolts and nuts are stainless steel

### CORROSION PROTECTION

- Electrostatic Powder Coating for Drinking Water
- Zinch – Rich Epoxy Primer
- Coal – Tar Epoxy
- Glass Flake Epoxy
- Enamel Epoxy for Ultraviolet
- Completely Stainless Steel Design
- Ebonite Coating for Seawaater

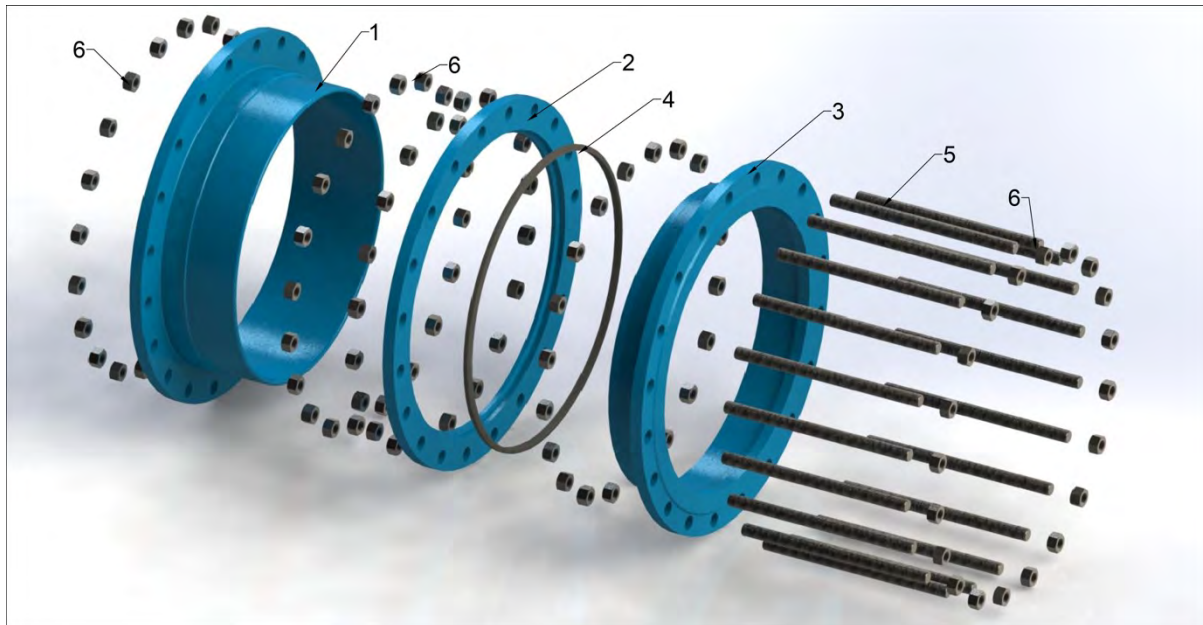




PN 10									
DN	BODY DIMENTIONS					FLANGE DIMENTIONS			
	B	Bolt Size	B	No. of Holes	KG	D	k	d2	b
100	200,00	M16	330	8	21,86	220	180	19	19
125	200,00	M16	330	8	25,65	250	210	19	19
150	200,00	M20	330	8	33,83	285	240	23	19
200	220,00	M20	330	8	45,73	340	295	23	20
250	220,00	M20	330	12	63,71	400	350	23	22
300	220,00	M20	330	12	79,30	455	400	23	24,5
350	230,00	M20	330	16	93,27	505	460	23	24,5
400	230,00	M24	380	16	118,95	565	515	28	24,5
450	260,00	M24	390	20	151,31	615	565	28	25,5
500	260,00	M24	390	20	166,15	670	620	28	26,5
600	260,00	M27	410	20	226,14	780	725	31	30
700	260,00	M27	410	24	300,52	895	840	31	32,5
800	290,00	M30	460	24	403,40	1015	950	34	35
900	290,00	M30	460	28	478,98	1115	1050	34	37,5
1000	290,00	M33	460	28	595,64	1230	1160	37	40
1100	300,00	M33	500	32	740,31	1340	1270	37	43
1200	320,00	M36	500	32	888,74	1455	1380	41	45
1300	340,00	M39	560	32	1074,84	1570	1490	44	45
1400	360,00	M39	560	36	1199,71	1675	1590	44	46
1500	380,00	M39	600	40	1428,63	1785	1700	44	47,5
1600	400,00	M45	600	40	1738,93	1915	1820	50	49
1800	400,00	M45	640	44	2058,71	2115	2020	50	52
2000	450,00	M45	650	48	2471,68	2325	2230	50	55
2200	450,00	M52	680	52	3239,59	2550	2440	56	59
2400	500,00	M52	720	56	3782,42	2760	2650	56	62

PN 16									
DN	BODY DIMENTIONS					FLANGE DIMENTIONS			
	B	Bolt Size	B	No. of Holes	KG	D	k	d2	b
100	200,00	M16	330	8	21,86	220	180	19	19
125	200,00	M16	330	8	25,65	250	210	19	19
150	200,00	M20	330	8	36,54	285	240	23	19
200	220,00	M20	330	12	49,74	340	295	23	20
250	220,00	M24	330	12	69,91	400	355	28	22
300	220,00	M24	330	12	85,41	455	410	28	24,5
350	230,00	M24	330	16	103,55	520	470	28	26,5
400	230,00	M27	380	16	146,86	580	525	31	28
450	260,00	M27	390	20	196,60	640	585	31	30
500	260,00	M30	390	20	244,15	715	650	34	31,5
600	260,00	M33	410	20	344,51	840	770	37	36
700	260,00	M33	410	24	390,00	910	840	37	39,5
800	290,00	M36	460	24	515,69	1025	950	40	43
900	290,00	M36	460	28	613,96	1125	1050	40	46,5
1000	290,00	M39	460	28	798,65	1255	1170	43	50
1100	300,00	M45	500	32	1021,52	1355	1270	43	53,5
1200	320,00	M45	500	32	1260,45	1485	1390	49	57
1300	340,00	M45	560	36	1468,65	1585	1490	49	58
1400	360,00	M45	560	36	1607,62	1685	1590	49	60
1500	380,00	M52	600	40	2140,70	1820	1710	57	62,5
1600	400,00	M52	600	40	2305,23	1930	1820	57	65
1800	400,00	M52	640	44	2741,15	2130	2020	57	70
2000	450,00	M56	650	48	3434,51	2345	2230	62	75
PN 25									
100	220,00	M20	330	8	32,63	220	180	19	19
125	220,00	M24	330	8	43,17	270	220	28	19
150	220,00	M24	330	8	48,80	300	250	28	20
200	242,00	M24	390	12	72,94	360	310	28	22
250	242,00	M27	390	12	97,66	425	370	31	24,5
300	242,00	M27	390	16	129,87	485	430	31	27,5
350	253,00	M30	410	16	174,60	555	490	34	30
400	253,00	M33	410	16	218,84	620	550	37	32
450	286,00	M33	460	20	286,14	670	600	37	34,5
500	286,00	M33	460	20	315,57	730	660	37	36,5
600	286,00	M36	460	20	426,76	845	770	40	42
700	286,00	M39	460	24	583,90	960	875	43	46,5
800	319,00	M45	500	24	809,78	1085	990	49	51
900	319,00	M45	500	28	962,50	1185	1090	49	55,5
1000	319,00	M52	500	28	1292,99	1320	1210	56	60
1100	330,00	M52	560	32	1602,84	1420	1310	56	64
1200	352,00	M52	560	32	1774,70	1530	1420	56	69
1300	374,00	M56	560	36	2171,25	1640	1530	62	72
1400	396,00	M56	650	36	2470,81	1755	1640	62	76
1500	418,00	M56	650	40	2791,55	1865	1750	62	77,5
1600	440,00	M56	650	40	3082,68	1975	1860	62	81
1800	440,00	M64	650	44	3951,47	2195	2070	70	88
2000	495,00	M64	720	48	4991,48	2425	2300	70	95

PN 40									
DN	BODY DIMENTIONS					FLANGE DIMENTIONS			
	B	Bolt Size	B	No. of Holes	KG	D	k	d2	b
100	242,00	M20	390	8	37,99	235	190	22	24
125	242,00	M24	390	8	49,93	270	220	26	26
150	242,00	M24	390	8	59,40	300	250	26	28
200	266,20	M27	460	12	108,72	375	320	30	34
250	266,20	M33	460	12	169,87	450	385	33	38
300	266,20	M33	460	16	229,19	515	450	33	42
350	278,30	M33	460	16	293,60	580	510	36	46
400	278,30	M36	460	16	386,90	660	585	39	50
450	314,60	M36	500	20	446,71	685	610	39	50
500	314,60	M39	500	20	529,07	755	670	42	52
600	314,60	M45	500	20	753,77	890	795	48	60
700	314,60	M45	500	20	1013,89	995	900	48	64
800	350,90	M52	560	24	1292,78	1140	1030	56	72
900	350,90	M52	560	28	1550,93	1250	1140	56	76
1000	350,90	M52	560	28	1804,37	1360	1250	56	80
1100	363,00	M52	560	28	2132,22	1470	1380	56	84
1200	387,20	M56	560	32	2381,85	1575	1460	62	88



NO	PART	MATERIAL
1	Long Part	Ductile Iron / Stainless Steel
2	Retaining Ring	Ductile Iron / Stainless Steel
3	Short Part	Ductile Iron / Stainless Steel
4	Sealing Ring	NBR
5	Bolts	Galvanised / Stainless Steel
6	Nuts	Galvanised / Stainless Steel

# Our Products



**Butterfly Valve**



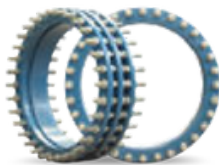
**Plunger Valve**



**Tilting Check Valve**



**Nozzle Check Valve**



**Dismantling Joint**



**Submersible Mixed Flow Column Type Pump**



**Hydraulic Controlled Check Butterfly Valve**



**Strainer - Y - Type / Inline - Basket Type**



**Swing Check Valve**



**Knife Gate Valve**



**Hollow Jet Valve / Gate Valve**

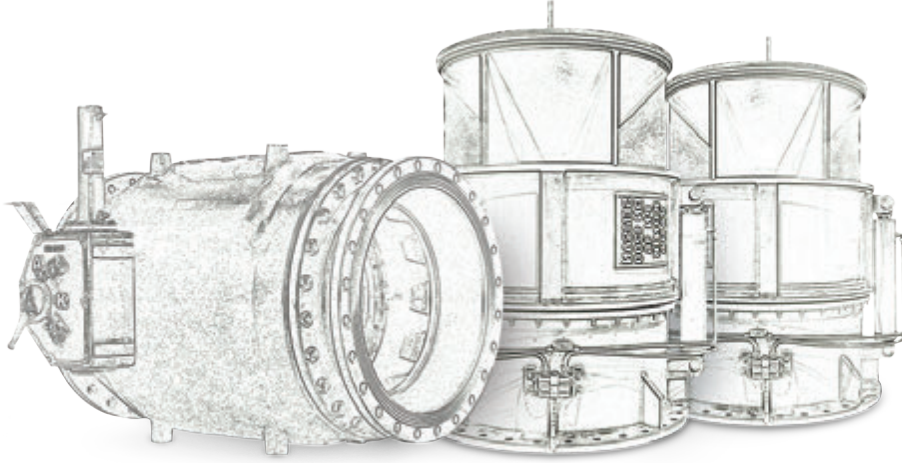


**Submersible Sewage Pump**





PUMP, VALVE & DAM  
EQUIPMENTS  
PRODUCT CATALOGUE



**SEMSAN POMPA MAKİNA SANAYİ VE TİCARET LTD. ŞTİ.**

Adres : Organize Sanayi Bölgesi Erdođan Cebeci Bulvarı.  
No:42/B Kutlukent / SAMSUN / TURKEY  
Phone : +90 362 266 88 33  
Fax : +90 362 266 88 58  
E-mail : [semsan@semsan.com.tr](mailto:semsan@semsan.com.tr)  
Web : [www.semsan.com.tr](http://www.semsan.com.tr)

