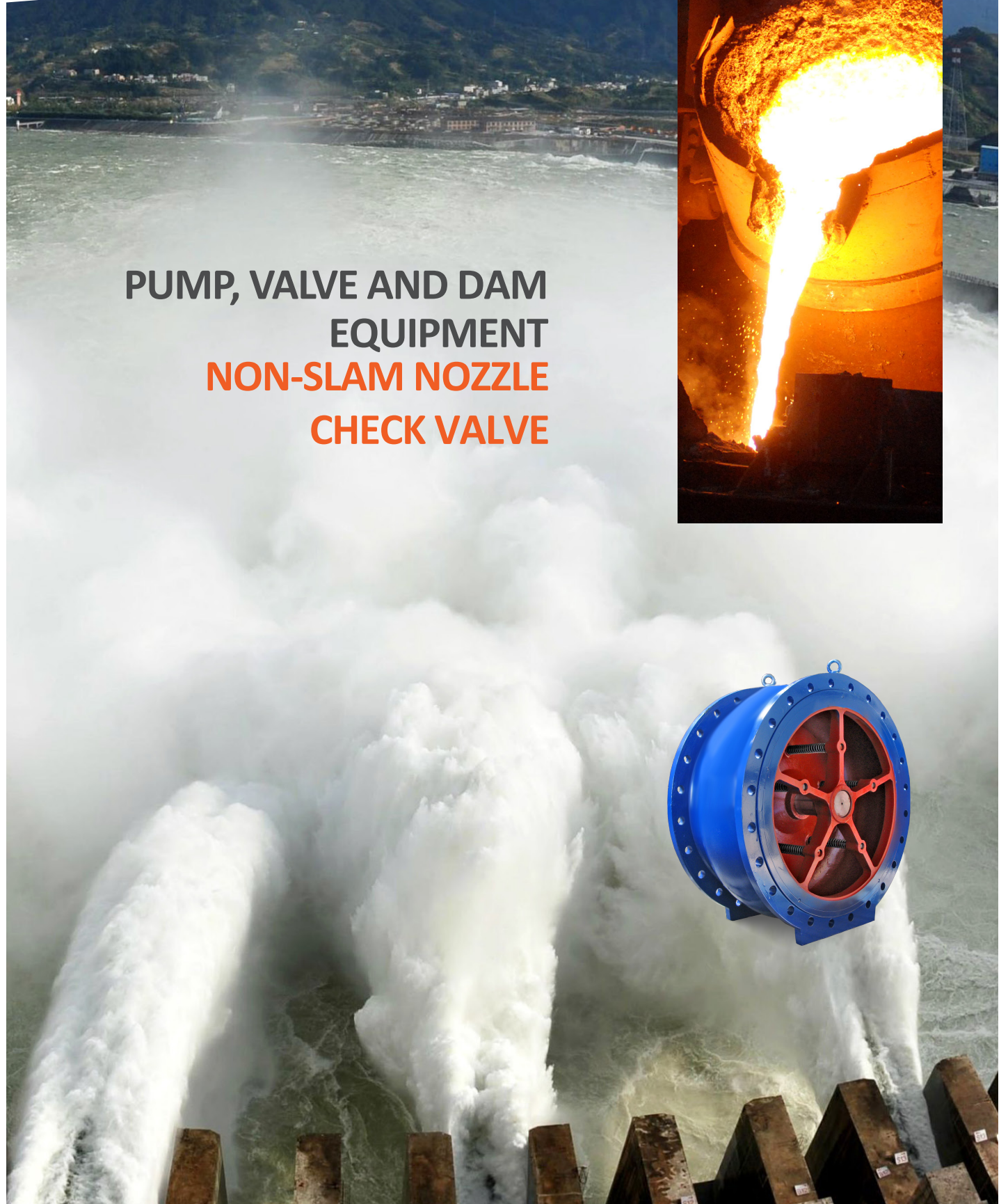




Semsan
PUMPS AND VALVES COMPANY



**PUMP, VALVE AND DAM
EQUIPMENT
NON-SLAM NOZZLE
CHECK VALVE**





NON-SLAM NOZZLE CHECK VALVE

DN 100/1800

PN 10 - 64

DESIGN

- TS EN 16767 certificated
- Double flange
- Flanges DIN EN1092
- PN 10/16/25/40/64
- Face to face EN 558-1 series 14 (DIN3202, F4)
- One piece rigid design
- Body sealing surface; corrosion-resistant stainless steel welded AISI 316 and microfinished
- Axial closing design by spring
- Axial movement by disk
- Replaceable inside parts
- EPDM sealing ring
- Internal fasteners of valve are stainless steel

MATERIAL

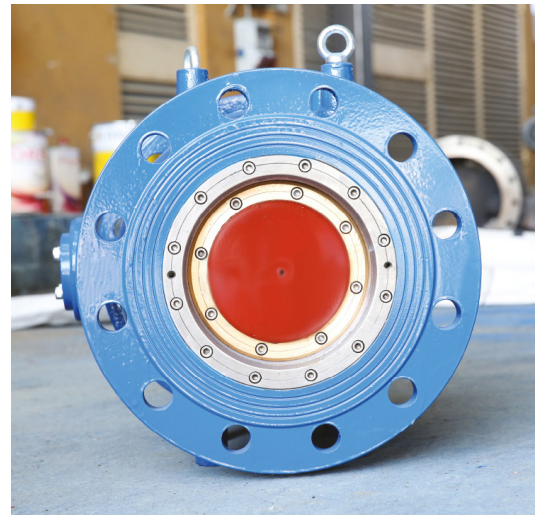
- Body ductile iron GGG40/50
- Disk ductile iron GGG40/50
- EPDM sealing ring
- Checkvalve shaft is; AISI 420 (X20Cr13)
- Shaft bearing is bronze

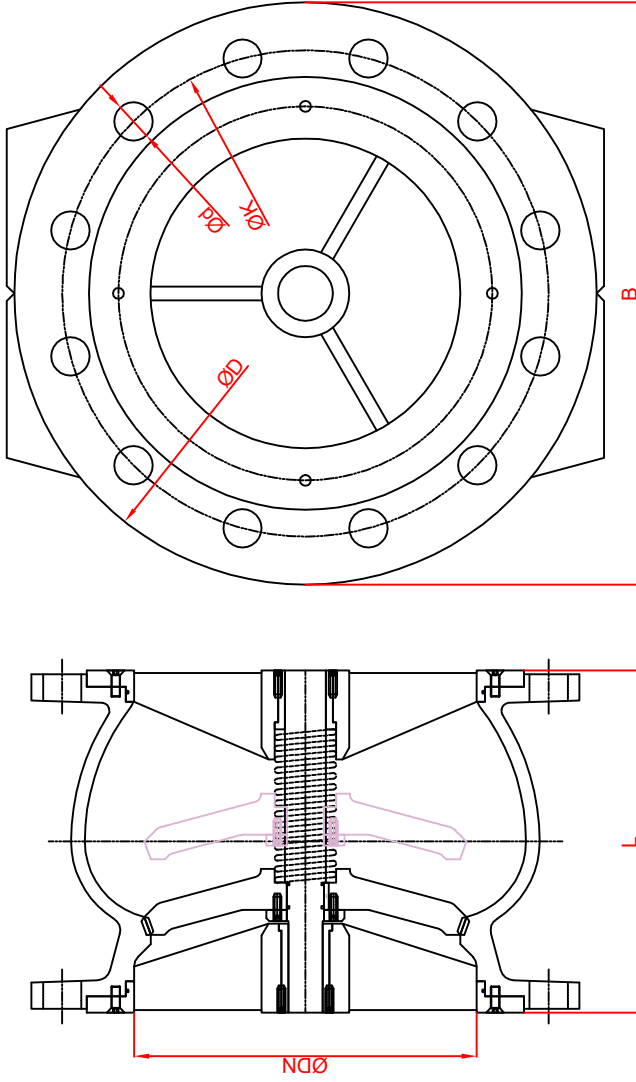
OPTIONAL

- DN > 1600
- Stainless steel body and disk

CORROSION PROTECTION

- Electrostatic Powder Coating for Drinking Water
- Zinch – Rich Epoxy Primer
- Coal – Tar Epoxy
- Glass Flake Epoxy
- Enamel Epoxy for Ultraviolet
- Completely Stainless Steel Design
- Ebonite Coating for Seawater





DN	PN25				PN40				Weight (kg)				
	L	B/D	K	No of Holes	d	b	Weight (kg)	B/D		K	No of Holes	d	b
100	190	220	180	8	19	19	30	235	190	8	22	24	30
125	200	270	220	8	28	19	35	270	220	8	26	26	45
150	210	300	250	8	28	20	55	300	250	8	26	28	70
200	230	360	310	12	28	22	75	375	320	12	30	34	100
250	250	425	370	12	31	24.5	100	450	385	12	33	38	150
300	270	485	430	16	31	27.5	130	515	450	16	33	42	170
350	290	555	490	16	34	30	155	580	510	16	36	46	185
400	310	620	550	16	37	32	200	660	585	16	39	50	300
450	330	670	600	20	37	34.5	280	685	610	20	39	50	389
500	350	730	660	20	37	36.5	380	755	670	20	42	52	480
600	390	845	770	20	40	42	490	890	795	20	48	60	650
700	430	960	875	24	43	46.5	780	995	900	20	48	64	945
800	470	1085	990	24	49	51	900	1140	1030	24	56	72	1350
900	510	1185	1090	28	49	55.5	1250	1250	1140	28	56	76	1830
1000	550	1320	1210	28	56	60	1685	1360	1250	28	56	80	2475
1100	590	1420	1310	32	56	64	1950	1470	1380	28	56	84	3000
1200	630	1530	1420	32	56	69	2400	1575	1460	32	62	88	3600

INTERNETIONAL STANDARDS FOR DESIGN

MAIN TYPE	EN 16767	NON-SLAM NOZZLE TYPE CHECK VALVE
FACE TO FACE DIMENSIONS	EN 558 - 1	SERIES 14
FLANGE DIMENSIONS	EN 1092	Flange norm can be revise up to customer
FINAL ACCEPTANCE TEST	EN12266 1 - 2	Rate A (Zero Leakage)
DESIGN TEST		1074 / EN 1267
BODY AND DISC MATERIALS		EN1563 / AISI / EN 10202 / EN 10213
SHAFT MATERIAL		EN 10088 / AISI
BEARING MATERIALS		EN 1982
COATING		EN ISO 12944 / EN ISO 2409 / EN ISO 4624 (min 250 mikron - electropowder epoxy up to DN1400; DN1500 and bigger wet epoxy)
COATING FOR SEAWATER		min 3 mm ebonite coating / Glass Flake Epoxy Coating 10204 3.1 (non witnessed) 10204 3.2 (witnessed) Third Party Tests Raw Material Certificates
CERTIFICATION		

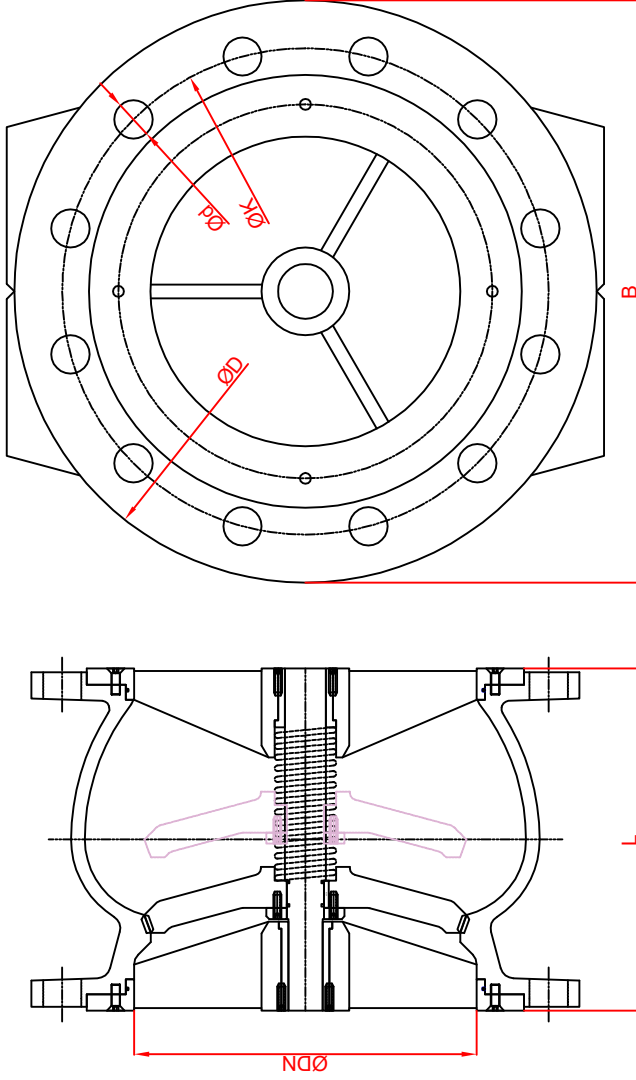


Semsan
POMPA MAKINA SANAYI VE TIC.LTD.ŞTİ.

**NAME: DN100 - DN1800 PN10162540
NON-SLAM NOZZLE TYPE CHECK VALVE DIMENSION TABLE**

NUMBER: 1001800NCV_PN10162540_DIMENSIONTABLE

DN	L (face to face)	PN10				PN16				Weight (kg)			
		B/D	K	No of Holes	d	b	Weight (kg)	B/D	K		No of Holes	d	b
100	190	220	180	8	19	19	25	220	180	8	19	19	25
125	200	250	210	8	19	19	32	250	210	8	19	19	35
150	210	285	240	8	23	19	40	285	240	8	23	19	40
200	230	340	295	8	23	20	60	340	295	12	23	20	60
250	250	400	350	12	23	22	80	400	355	12	28	22	80
300	270	455	400	12	23	24.5	110	455	410	12	28	24.5	110
350	290	505	460	16	23	24.5	130	520	470	16	28	26.5	130
400	310	565	515	16	28	24.5	160	580	525	16	31	28	160
450	330	615	565	20	28	25.5	237	640	585	20	31	30	237
500	350	670	620	20	28	26.5	300	715	650	20	34	31.5	300
600	390	780	725	20	31	30	460	840	770	20	37	36	460
700	430	895	840	24	31	32.5	670	910	840	24	37	39.5	670
800	470	1015	950	24	34	35	775	1025	950	24	40	43	775
900	510	1115	1050	28	34	37.5	970	1125	1050	28	40	46.5	970
1000	550	1230	1180	28	37	40	1078	1255	1170	28	43	50	1078
1100	590	1340	1270	32	37	43	1328	1355	1270	32	43	53.5	1328
1200	630	1455	1380	32	41	45	1848	1485	1390	32	49	57	1848
1300	670	1570	1490	32	44	45	2080	1585	1490	32	49	58	2080
1400	710	1675	1590	36	44	46	2270	1685	1590	36	49	60	2270
1500	750	1785	1700	36	44	47.5	3351	1820	1710	36	57	62.5	3351
1600	790	1915	1820	40	50	49	4385	1930	1820	40	57	65	4385
1800	870	2115	2020	44	50	52	6350	2130	2020	44	57	70	6350



DN	L (face to face)	PN10			PN16			Weight (kg)
		B/D	K	No. of Holes	B/D	K	No. of Holes	
100	190	220	180	8	19	19	8	19
125	200	250	210	8	19	19	8	19
150	210	285	240	8	23	19	8	23
200	230	340	295	8	23	20	12	23
250	250	400	350	12	23	22	12	28
300	270	455	400	12	23	24,5	12	28
350	290	505	460	16	23	24,5	16	28
400	310	565	515	16	28	24,5	16	31
450	330	615	565	20	28	25,5	20	31
500	350	670	620	20	28	26,5	20	34
600	390	780	725	20	31	30	20	37
700	430	895	840	24	31	32,5	24	37
800	470	1015	950	24	34	35	24	40
900	510	1115	1050	28	34	37,5	28	40
1000	550	1230	1160	28	37	40	28	43
1100	590	1340	1270	32	37	43	32	43
1200	630	1455	1380	32	41	45	32	49
1300	670	1570	1490	32	44	45	32	49
1400	710	1675	1590	36	44	46	36	49
1500	750	1785	1700	36	44	47,5	36	57
1600	790	1915	1820	40	50	49	40	57
1800	870	2115	2020	44	50	52	44	57

DN	PN25			PN40			Weight (kg)	
	L	B/D	K	No. of Holes	B/D	K		No. of Holes
100	190	220	180	8	19	19	8	22
125	200	270	220	8	28	19	8	26
150	210	300	250	8	28	20	8	26
200	230	360	310	12	28	22	12	30
250	250	425	370	12	31	24,5	12	33
300	270	485	430	16	31	27,5	16	33
350	290	555	490	16	34	30	16	36
400	310	620	550	16	37	32	16	39
450	330	670	600	20	37	34,5	20	39
500	350	730	660	20	37	36,5	20	42
600	390	845	770	20	40	42	20	48
700	430	960	875	24	43	46,5	20	48
800	470	1085	990	24	49	51	24	56
900	510	1185	1090	28	49	55,5	28	56
1000	550	1320	1210	28	56	60	28	56
1100	590	1420	1310	32	56	64	28	56
1200	630	1530	1420	32	56	69	32	62

INTERNETIONAL STANDARDS FOR DESIGN	
MAIN TYPE	EN 16767
FACE TO FACE DIMENSIONS	EN 558 - 1
FLANGE DIMENSIONS	EN 1092
FINAL ACCEPTANCE TEST	EN12266 1 - 2
DESIGN TEST	1074 / EN 1267
BODY AND DISC MATERIALS	EN1563 / AISI / EN 10202 / EN 10213
SHAFT MATERIAL	EN 10088 / AISI
BEARING MATERIALS	EN 1982
COATING	EN ISO 12944 / EN ISO 2409 / EN ISO 4624 (min 250 mikron - electropowder epoxy up to DN1400; DN1500 and bigger wet epoxy)
COATING FOR SEAWATER	min 3 mm ebonite coating / Glass Flake Epoxy Coating 10204 3.1 (non witnessed) 10204 3.2 (witnessed) Third Party Tests Raw Material Certificates
CERTIFICATION	



Semsan

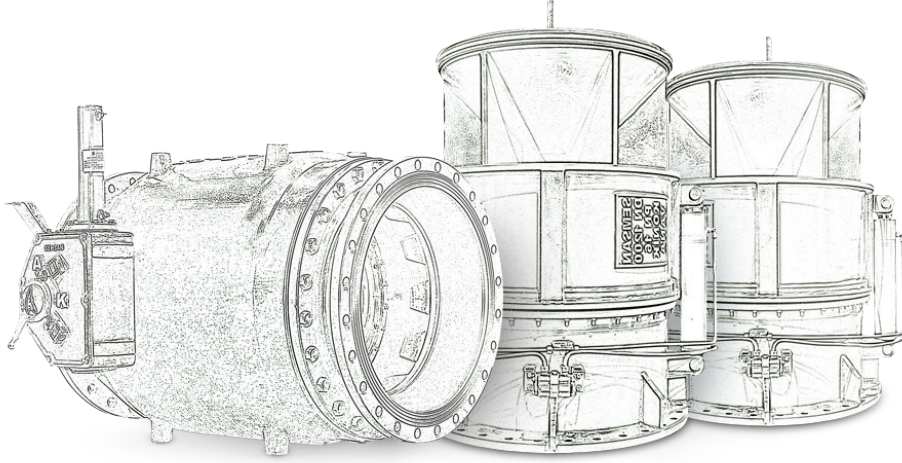
POMPA MAKINA SANAYI VE TIC.LTD.ŞTİ.

NAME: DN100 - DN1800 PN10162540
NON-SLAM NOZZLE TYPE CHECK VALVE DIMENSION TABLE

NUMBER: 1001800NCV_PN10162540_DIMENSIONTABLE



PUMP, VALVE & DAM
EQUIPMENTS
PRODUCT CATALOGUE



SEMSAN POMPA MAKİNA SANAYİ VE TİCARET LTD. ŞTİ.

Adres : Organize Sanayi Bölgesi Erdođan Cebeci Bulvarı.
No:42/B Kutlukent / SAMSUN / TURKEY
Phone : +90 362 266 88 33
Fax : +90 362 266 88 58
E-mail : semsan@semsan.com.tr
Web : www.semsan.com.tr

