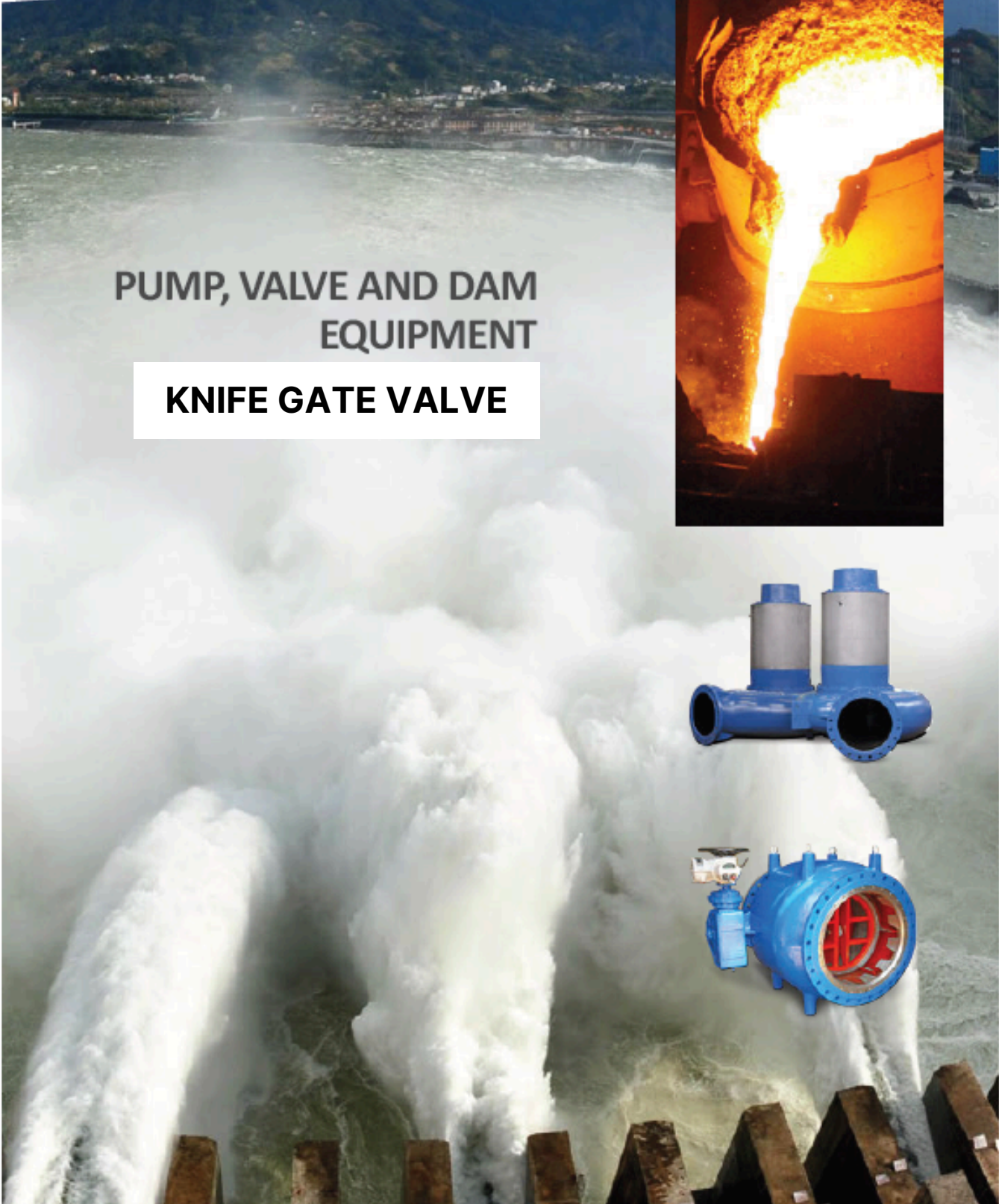


PUMP, VALVE AND DAM
EQUIPMENT

KNIFE GATE VALVE



Since 1984, SEMSAN PUMP is main mechanical equipment and specific process pumps manufacturer for most important projects of Turkey. SEMSAN is most wanted company in Turkey market when SEMSAN PUMP established.

SEMSAN PUMP relocated in Samsun organized industrial zone at 2002 for growing marketing requests.

SEMSAN PUMP has 5000m2 work field in Samsun Industrial zone. Our company has 2x2000 kg. + 2x750 kg. Inducto therm brand twin induction furnaces. We can offer our brands manufacturing and high-tech forming and induction equipment's we can produce stainless steel and ductile products.

SEMSAN PUMP has TSE certificates on all products and all processes have to obey TSE ISO 9001:2008, TSE-EN-ISO 14001, İSG-OHSAS TS18001 quality management.

SEMSAN PUMP also has European CE Declaration of conformity for pumps and valves.

SEMSAN PUMP has innovative perspective, daily gaining new features on our company. Also SEMSAN PUMP check updates and newest products in the marketing world wide and keeps updating and upgrading self.

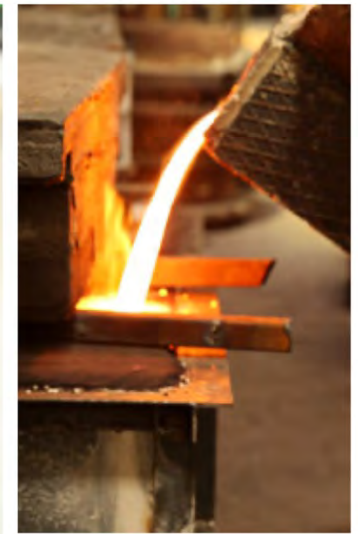
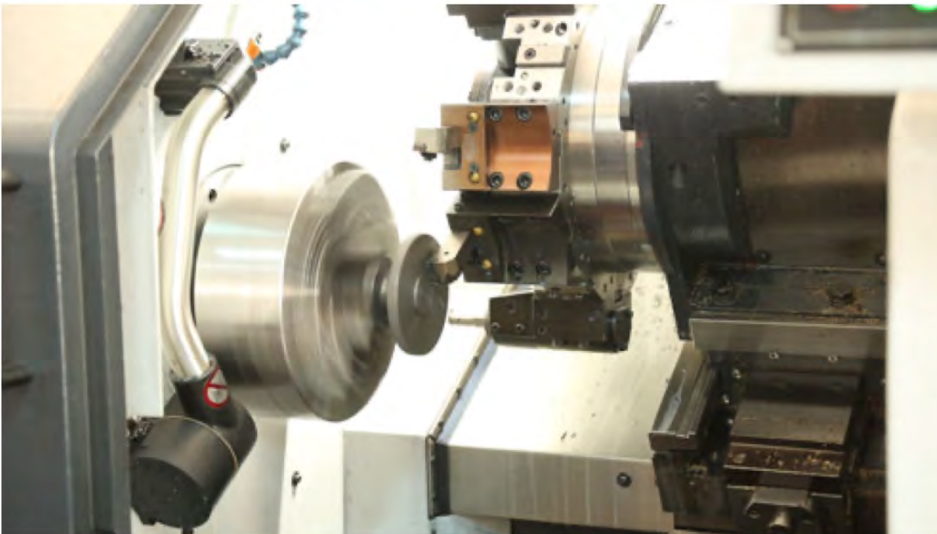
CERTIFICATION

- K-Q TSE ISO EN 9000 QUALITY MANAGEMENT SYSTEM
- TSE İSG-OHSAS TS 18001 HEALTH AND SAFETY MANAGEMENT SYSTEM
- Ç-E TSE-ISO-EN 14000 ENVIROMENTAL MANAGEMENT SYSTEM
- TS EN 593 BUTTERFLY VALVE
- TS EN 12334 CHECK VALVE
- TS 12599 SUBMERSIBLE SEWAGE PUMP
- TSE K 461 DISMANTLIG JOINT
- 97/23/EC PRESSURE EQUIPMENT CASTING CERTIFICATE
- CE DECLARATION OF CONFORMITY ABOUT PUMPS
- TS 12873 SERVICE QUALIFICATION CERTIFICATE - PUMPS
- TS 12844 SERVICE QUALIFICATION CERTIFICATE - VALVE
- WRAS - COATING AND EPDM SEALING SUITABLE FOR DRINKING WATER



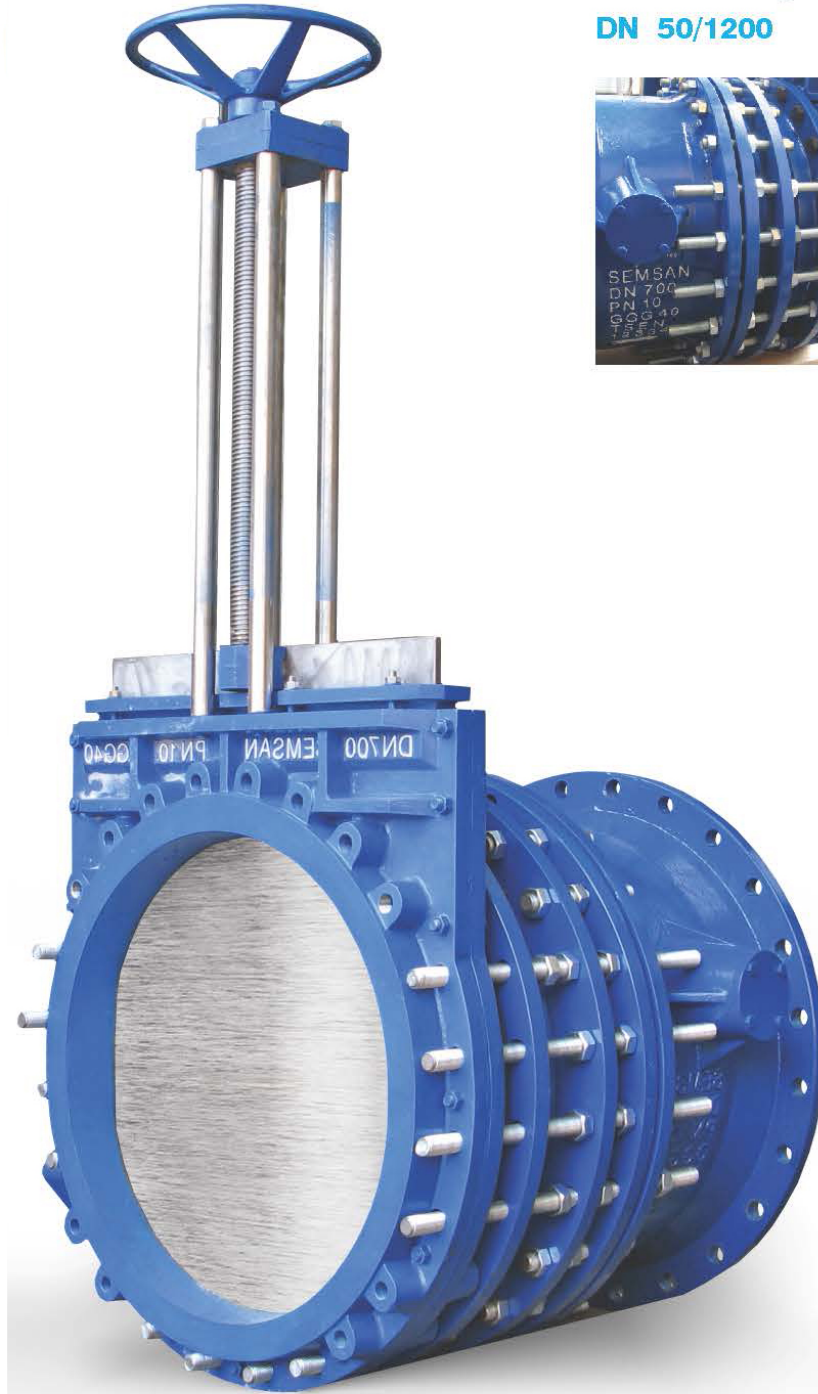
MANUFACTURING

- FOUNDRY; 2x2000 kg + 2x750 kg Inductotherm Induction Furnace
- CNC Machining Department
- Electrostatic Epoxy Coating Line
- Double Compound Wet Epoxy Line
- Quality Control
- Material Laboratory: Spectrometer, Tensile Strength Test Machine, Microstructure Analysis Microscope, Hardness Tests
- Hydrostatic Pressure Tests for EN 12266 -1,2
- Pump Performance Tests for ISO 9906
- Material Certification for EN 10204 3.1
- Coating Thickness, Pull of and Spark Test
- Surface Roughness Tests



KNIFE GATE VALVE

DN 50/1200



DESIGN

- Face to Face Dimensions TS EN 558 – 1 Series 20 /(DIN3202 / K1)
- Flanges TS EN 1092 – 2, PN10
- Wafer Type
- Non Rising Design
- Hand operated

OPTIONAL

- Electrical Control
- Pneumatic Control
- Hydraulic Control

MATERIAL

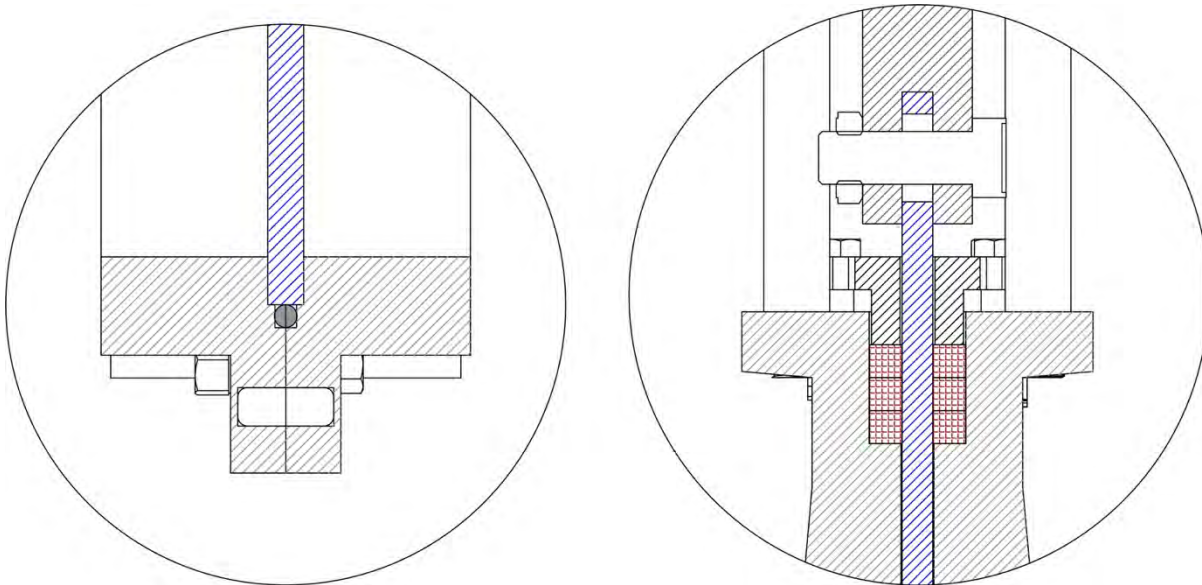
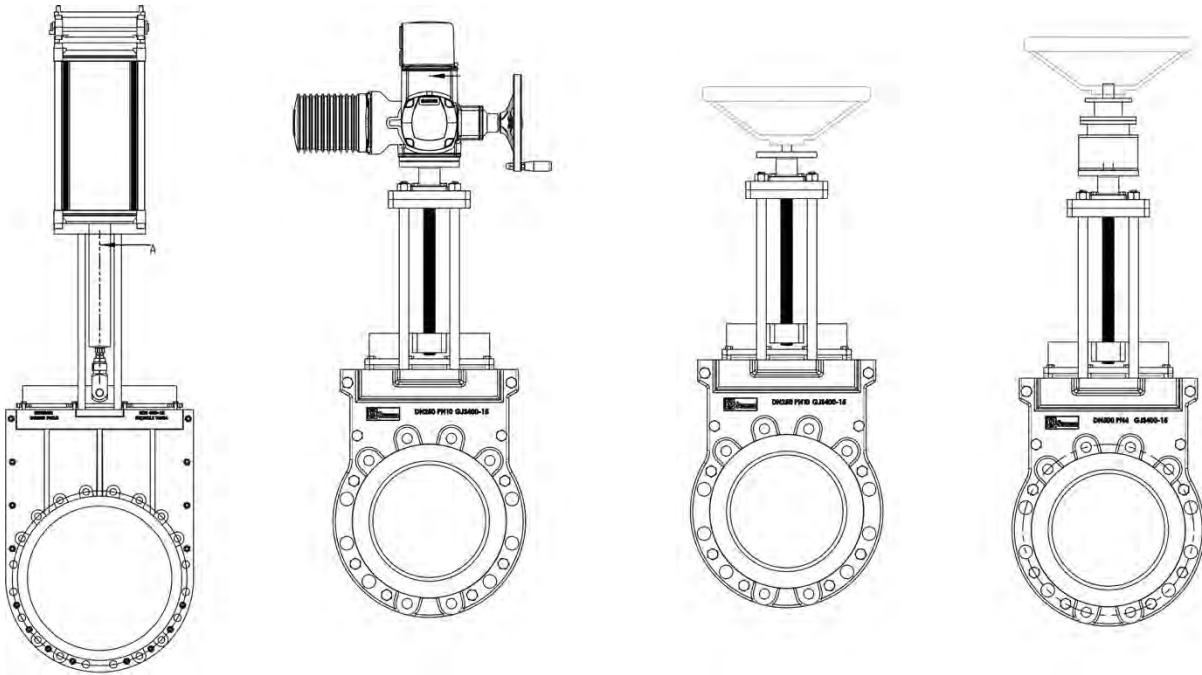
- Body : GJS 400-15
- Sliding (Knife) : Stainless Steel 1.4301
- Selaing : U and Horizontal EPDM

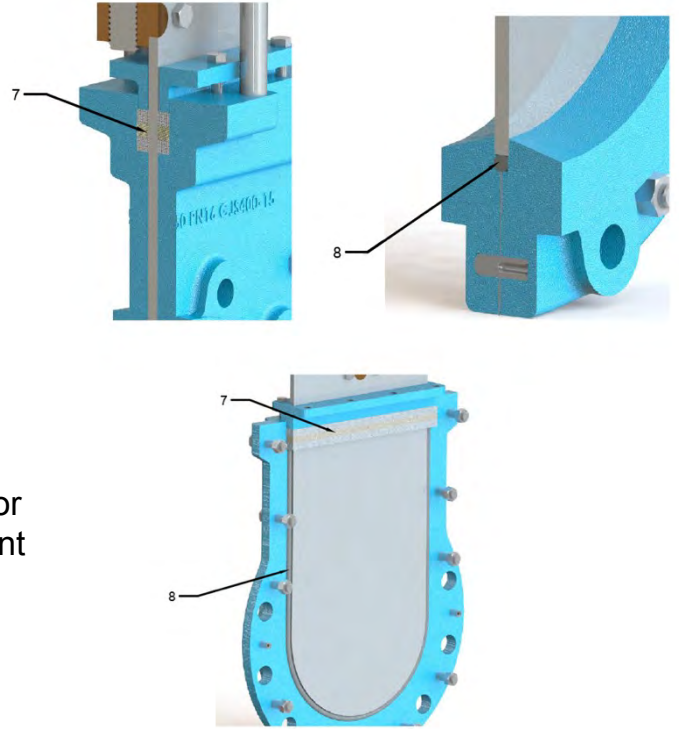
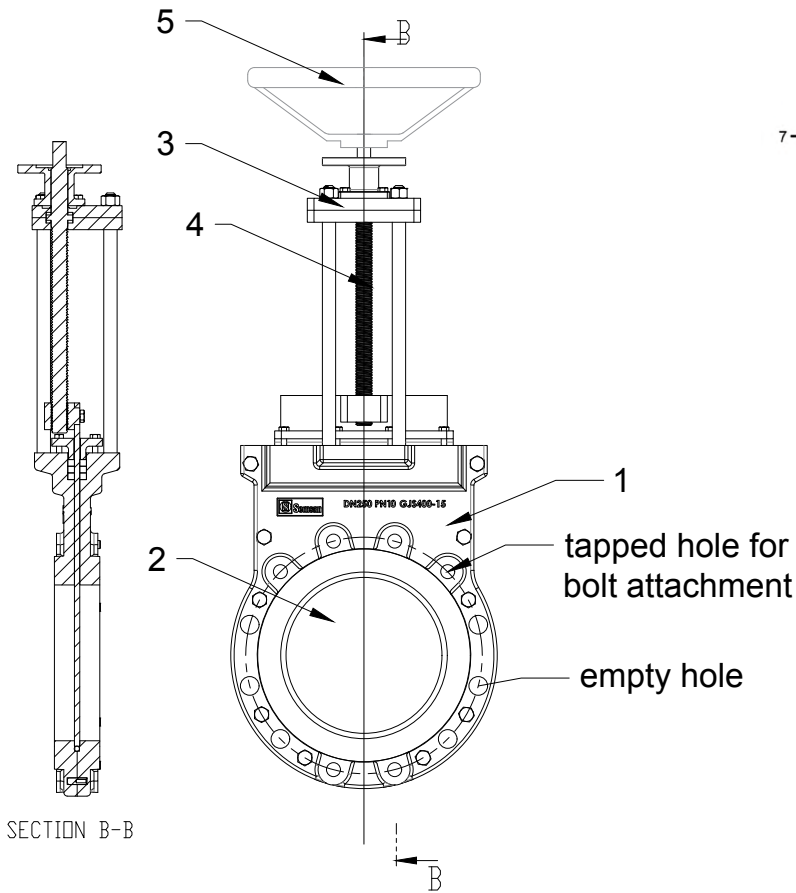
CONTROL

- Hand Operated
- Electrical Motor Controlled
- Pneumatic or Hydraulic Controlled

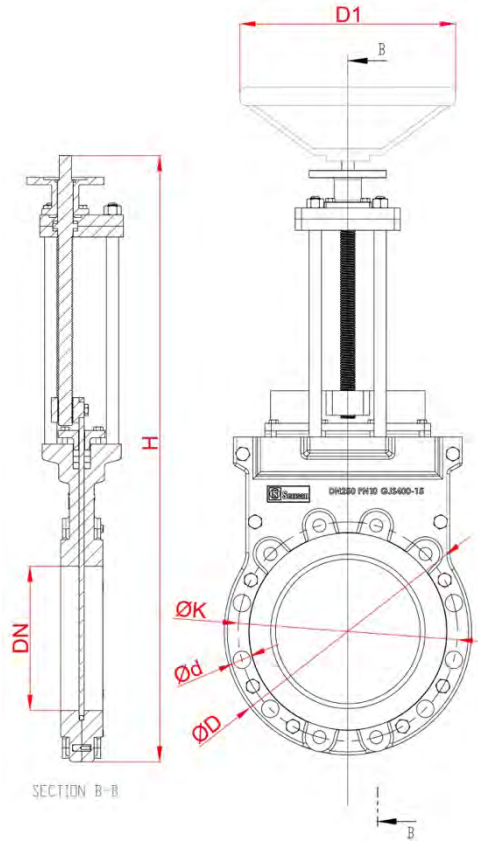
CORROSION PROTECTION

- Electrostatic Powder Coating for Drinking Water
- Zinc – Rich Epoxy Primer
- Coal – Tar Epoxy
- Glass Flake Epoxy
- Enamel Epoxy for Ultraviolet
- Completely Stainless Steel Design
- Ebonite Coating for Seawaater





NO	PART NAME	MATERIAL
1	BODY	GJS 400.15/GJS 400.18/GJS 500.7
2	DISC	AISI 304/AISI316 SS
3	CONTROL BODY	GJS 400.15/GJS 400.18/GJS 500.7
4	ACTUATOR CONNECTION PART	AISI 420 SS
5	VOLAN	GJS 400.15/GJS 400.18/GJS 500.7
6	BOLTS AND NUTS	A2 SS
7	SEALING	SOFT SEALING
8	ORINGS	EPDM



VALVE DIMENTIONS										FLANGE DIMENTIONS		
DN	L	No. of Holes	No. of Empty Holes	No. of Tapped Holes	Guide Tapped	H	D1	Turn	Suitable actu. torque	D	K	d
50	43	4	2	2 / M16	10	400	200	11	60 Nm	165	125	19
65	46	4	2	2 / M16	10	450	200	14	60 Nm	185	145	19
80	46	8	4	2 / M16	10	500	200	17	60 Nm	200	160	19
100	52	8	4	4 / M16	12	540	225	21	60 Nm	220	180	19
125	56	8	4	4 / M16	12	640	225	26	60 Nm	250	210	19
150	56	8	4	4 / M20	12	770	250	32	60 Nm	285	240	23
200	60	8	4	4 / M20	12	890	320	42	60 Nm	340	295	23
250	68	12	6	6 / M20	15	990	320	52	60 Nm	400	350	23
300	78	12	6	6 / M20	18	1110	400	52	120 Nm	455	400	23
350	78	16	6	10 / M20	18	1270	400	60	120 Nm	505	460	23
400	102	16	6	10 / M24	25	1450	400	67	120 Nm	565	515	28
450	114	20	8	12 / M24	30	1560	400	78	120 Nm	615	565	28
500	127	20	8	12 / M24	30	1900	500	221	120 Nm	670	620	28
600	154	20	8	12 / M27	40	2160	500	266	120 Nm	780	725	31
700	165	24	12	12 / M27	50	2410	500	300	250 Nm	895	840	31
800	190	24	10	14 / M30	50	2685	500	308	250 Nm	1015	950	34
900	203	28	10	18 / M30	50	3145	500	465	250 Nm	1115	1050	34
1000	216	28	10	18 / M33	60	3350	500	618	500 Nm	1230	1160	37
1200	254	32	12	20 / M36	60	3915	500	738	500 Nm	1455	1380	40

Our Products



Butterfly Valve



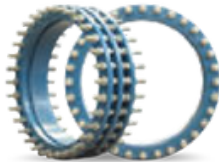
Plunger Valve



Tilting Check Valve



Nozzle Check Valve



Dismantling Joint



Submersible Mixed Flow Column Type Pump



Hydraulic Controlled Check Butterfly Valve



Strainer - Y - Type / Inline - Basket Type



Swing Check Valve



Knife Gate Valve



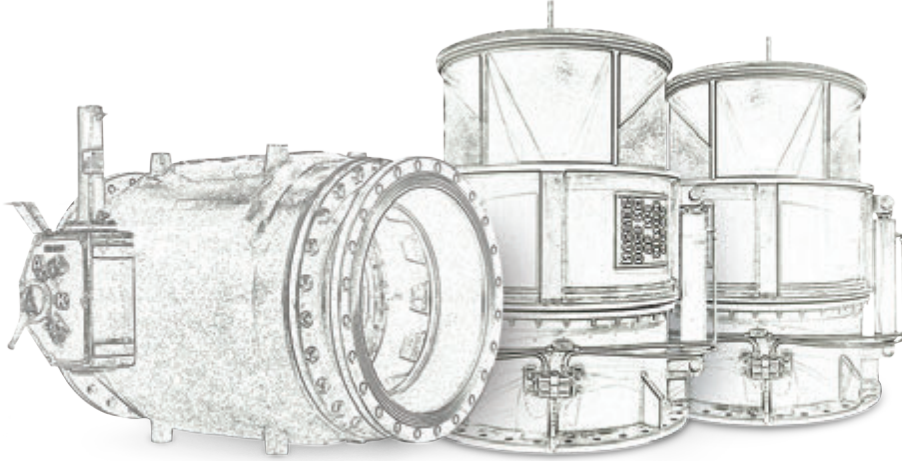
Hollow Jet Valve / Gate Valve



Submersible Sewage Pump



PUMP, VALVE & DAM
EQUIPMENTS
PRODUCT CATALOGUE



SEMSAN POMPA MAKİNA SANAYİ VE TİCARET LTD. ŞTİ.

Adres : Organize Sanayi Bölgesi Erdođan Cebeci Bulvarı.
No:42/B Kutlukent / SAMSUN / TURKEY
Phone : +90 362 266 88 33
Fax : +90 362 266 88 58
E-mail : semsan@semsan.com.tr
Web : www.semsan.com.tr

