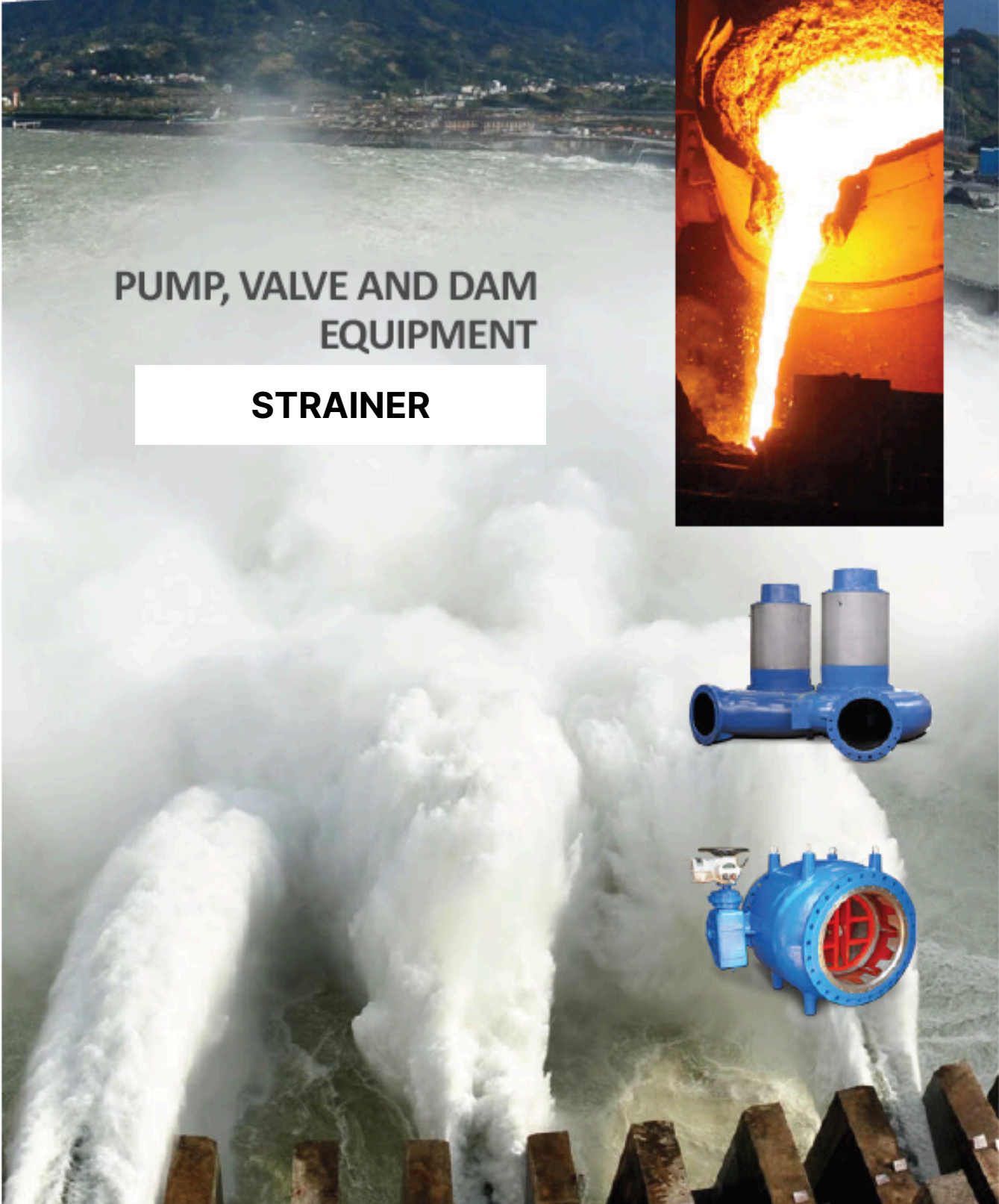


PUMP, VALVE AND DAM
EQUIPMENT

STRAINER



Since 1984, SEMSAN PUMP is main mechanical equipment and specific process pumps manufacturer for most important projects of Turkey. SEMSAN is most wanted company in Turkey market when SEMSAN PUMP established.

SEMSAN PUMP relocated in Samsun organized industrial zone at 2002 for growing marketing requests.

SEMSAN PUMP has 5000m2 work field in Samsun Industrial zone. Our company has 2x2000 kg. + 2x750 kg. Inductoherm brand twin induction furnaces. We can offer our brands manufacturing and high-tech forming and induction equipment's we can produce stainless steel and ductile products.

SEMSAN PUMP has TSE certificates on all products and all processes have to obey TSE ISO 9001:2008, TSE-EN-ISO 14001, İSG-OHSAS TS18001 quality management.

SEMSAN PUMP also has European CE Declaration of conformity for pumps and valves.

SEMSAN PUMP has innovative perspective, daily gaining new features on our company. Also SEMSAN PUMP check updates and newest products in the marketing world wide and keeps updating and upgrading self.

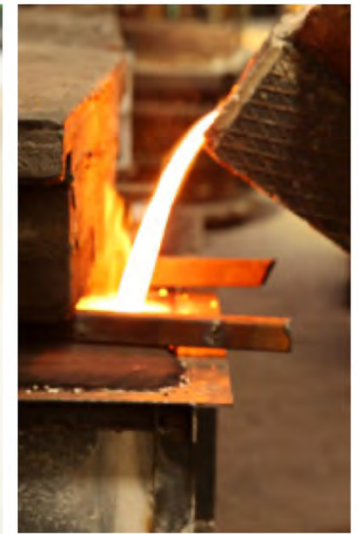
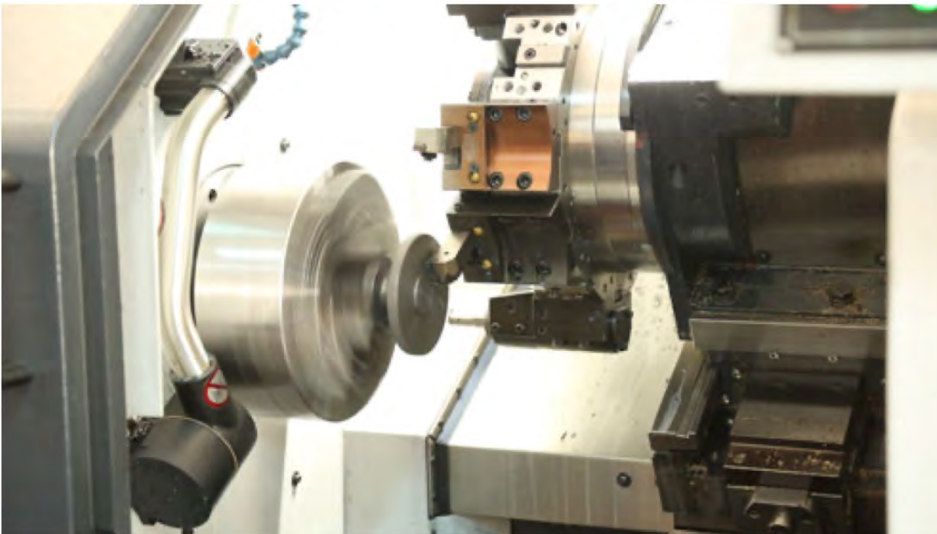
CERTIFICATION

- K-Q TSE ISO EN 9000 QUALITY MANAGEMENT SYSTEM
- TSE İSG-OHSAS TS 18001 HEALTH AND SAFETY MANAGEMENT SYSTEM
- Ç-E TSE-ISO-EN 14000 ENVIROMENTAL MANAGEMENT SYSTEM
- TS EN 593 BUTTERFLY VALVE
- TS EN 12334 CHECK VALVE
- TS 12599 SUBMERSIBLE SEWAGE PUMP
- TSE K 461 DISMANTLIG JOINT
- 97/23/EC PRESSURE EQUIPMENT CASTING CERTIFICATE
- CE DECLARATION OF CONFORMITY ABOUT PUMPS
- TS 12873 SERVICE QUALIFICATION CERTIFICATE - PUMPS
- TS 12844 SERVICE QUALIFICATION CERTIFICATE - VALVE
- WRAS - COATING AND EPDM SEALING SUITABLE FOR DRINKING WATER



MANUFACTURING

- FOUNDRY; 2x2000 kg + 2x750 kg Inductotherm Induction Furnace
- CNC Machining Department
- Electrostatic Epoxy Coating Line
- Double Compound Wet Epoxy Line
- Quality Control
- Material Laboratory: Spectrometer, Tensile Strength Test Machine, Microstructure Analysis Microscope, Hardness Tests
- Hydrostatic Pressure Tests for EN 12266 -1,2
- Pump Performance Tests for ISO 9906
- Material Certification for EN 10204 3.1
- Coating Thickness, Pull of and Spark Test
- Surface Roughness Tests



Y-TYPE STRAINER

DN 150/600 | PN 10/ 16/ 25



APPLICATION

- Entrance of control valves
- Drinking water treatment plants

DESIGN

- Body is 65° horizontal to flow
- Flanges DIN EN1092
- PN 10/16/25
- Perforated filter is stainless steel
- There is a plug for cleaning residuals dirty on the filter

MATERIAL

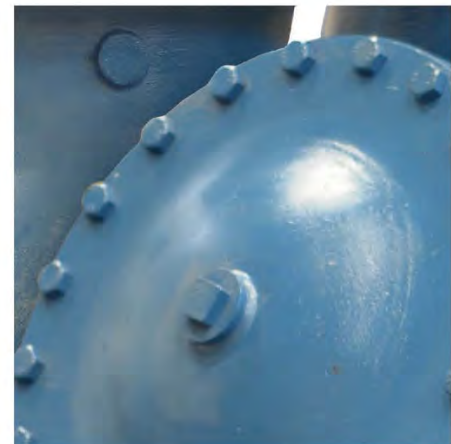
- Body ductile iron GGG-40/50
- Filter is stainless steel
- Flange connection bolts are galvanized steel

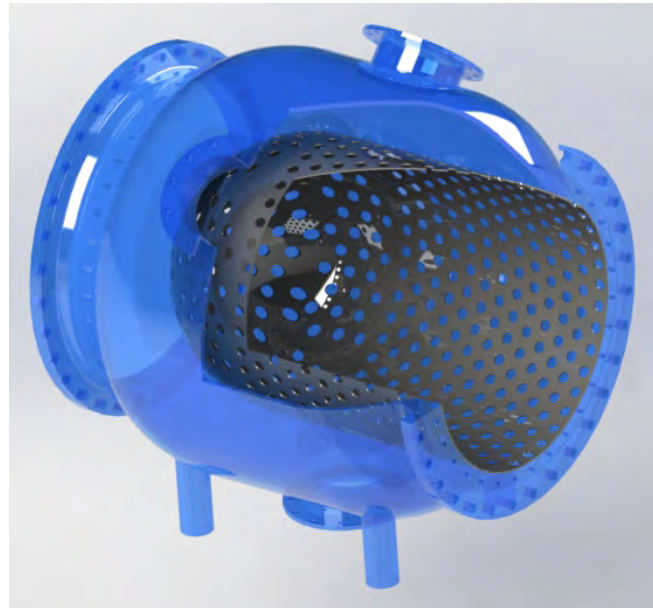
OPTIONAL

- DN > 600
- Manometers are input and output of strainer
- Discharge valve on blind flanges
- All of body stainless steel

CORROSION PROTECTION

- Electrostatic Powder Coating for Drinking Water
- Zinch – Rich Epoxy Primer
- Coal – Tar Epoxy
- Glass Flake Epoxy
- Enamel Epoxy for Ultraviolet
- Completely Stainless Steel Design
- Ebonite Coating for Seawaater





APPLICATION

- Before Control Valve
- In Water Treatment Plant

DESIGN

- Designed In Parallel With The Flow
- Flanges DIN EN 1092
- Suitable For PN 10/16/25
- Stainless Steel Perforated Filter
- Filter Without Removing The Valve Or Line , Allowing Clear All The Accumulated Sediment
- Compact Design
- Two Input For Clean Water Filter Cleaning
- Sewage Outlet Cover Under Valve

MATERIAL

- Body Ductile Iron GGG-40/50
- Filter Is Stainless Steel
- Flange Connection Bolts Are Galvanized Steel

CORROSION PROTECTION

- Electrostatic Powder Coating For Drinking Water
- Zinch – Rich Epoxy Primer
- Coal – Tar Epoxy
- Glass Flake Epoxy
- Enamel Epoxy For Ultraviolet
- Completely Stainless Steel Design
- Ebonite Coating For Seawaater

OPTIONAL

- DN > 1400
- Manometers Are Input And Output Of Strainer
- Discharge Valve On Blind Flanges
- All Of Body Stainless Steel

LAST QUALITY CONTROL EN 12266 – 1 CLASS A

| Nominal Diameter (DN) | Nominal Pressure PN | Test Pressure Body | Max Pressure for Temperature | |
|--------------------------|------------------------|-----------------------|---------------------------------|-------|
| | kg/cm ² | | Disk | 50 °C |
| 800.....1200 | 10 | 15 | - | 10 |
| 800.....1200 | 16 | 24 | - | 16 |
| 800.....1200 | 25 | 37,5 | - | 25 |

APPLICATION

- Before Control Valve
- In Water Treatment Plant

DESIGN

- Axial Design
- Flanges DIN EN 1092
- Stainless Steel Strainer

MATERIAL

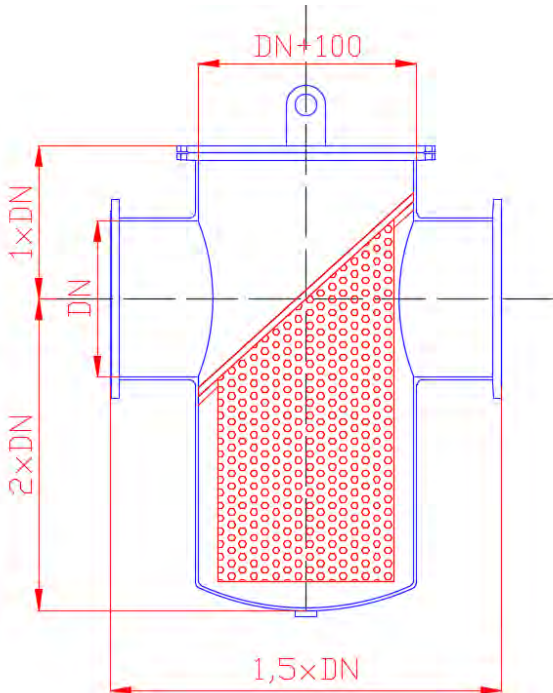
- Body EN S235JR
- Strainer AISI304
- Blind Flange nuts and bolts A2.70

CORROSION PROTECTION

- Electropowder Epoxy for Potable Water
- Zinch – Rich Epoxy Coating (Opt.)
- Coal – Tar Enamel Epoxy (Opt.)
- Ebonite Coating for seawater (Opt.)

OPTIONAL

- Manometers
- Completely Stainless Steel Design



| INTERNETIONAL STANDARTS FOR DESIGN | |
|------------------------------------|---|
| FLANGE DIMENSIONS | EN 1092 |
| FINAL ACCEPTANCE TEST | EN12266 1 - 2 |
| DESIGN TEST | 1074 / EN 1267 |
| BODY AND DISC MATERIALS | EN1563 / AISI / EN 10202 / EN 10213 |
| SHAFT MATERIAL | EN 10088 / AISI |
| BEARING MATERIALS | EN 1982 |
| COATING | EN ISO 12944 / EN ISO 2409 / EN ISO 4624 (min 250 mikron - electropowder epoxy up to DN1400; DN1500 and bigger wet epoxy) |
| COATING FOR SEAWATER | min 3 mm ebonite coating / Glass Flake Epoxy Coating |
| CERTIFICATION | 10204 3.1 (non witnessed) 10204 3.2 (witnessed) Third Party Tests Raw Material Certificates |

| TESTS | |
|------------------------|--|
| LEAKAGE TEST | 1.1 x PN |
| BODY TEST | 1,5 X PN |
| COATING THICKNESS TEST | min 250 mikron |
| OPERATIONAL TEST | CLOSING TEST |
| MATERIAL TESTS | MECHANICAL, CHEMICAL, MICROSTRUCTURE |



Our Products



Butterfly Valve



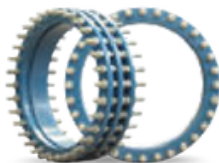
Plunger Valve



Tilting Check Valve



Nozzle Check Valve



Dismantling Joint



Submersible Mixed Flow Column Type Pump



Hydraulic Controlled Check Butterfly Valve



Strainer - Y - Type / Inline - Basket Type



Swing Check Valve



Knife Gate Valve



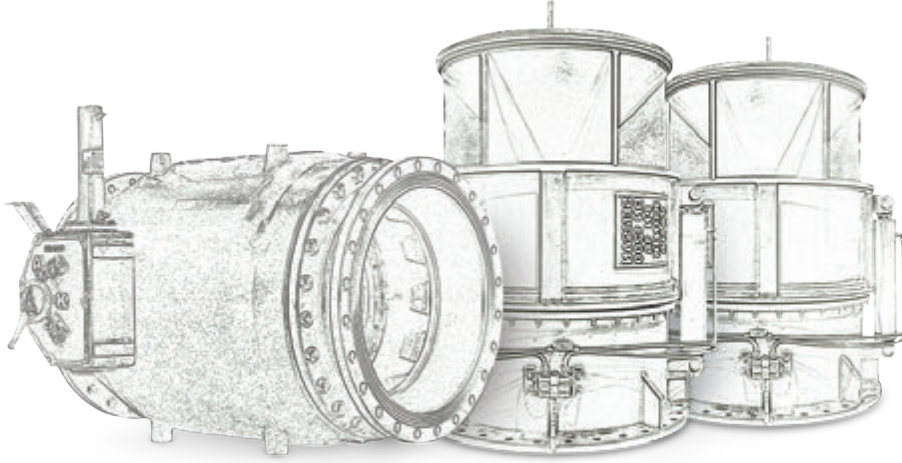
Hollow Jet Valve / Gate Valve



Submersible Sewage Pump



PUMP, VALVE & DAM
EQUIPMENTS
PRODUCT CATALOGUE



SEMSAN POMPA MAKİNA SANAYİ VE TİCARET LTD. ŞTİ.

Adres : Organize Sanayi Bölgesi Erdođan Cebeci Bulvarı.
No:42/B Kutlukent / SAMSUN / TURKEY
Phone : +90 362 266 88 33
Fax : +90 362 266 88 58
E-mail : semsan@semsan.com.tr
Web : www.semsan.com.tr

