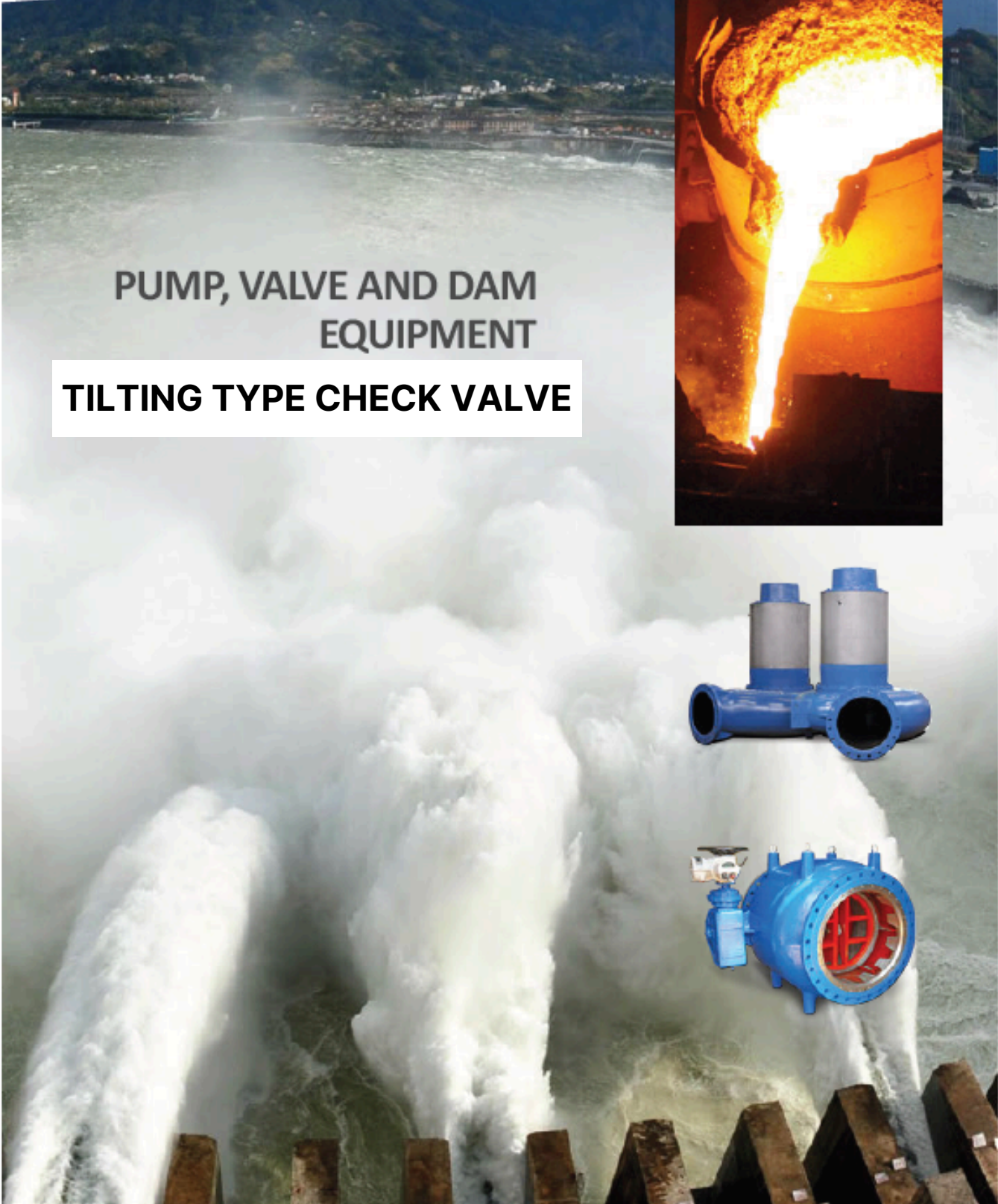


PUMP, VALVE AND DAM
EQUIPMENT

TILTING TYPE CHECK VALVE



Since 1984, SEMSAN PUMP is main mechanical equipment and specific process pumps manufacturer for most important projects of Turkey. SEMSAN is most wanted company in Turkey market when SEMSAN PUMP established.

SEMSAN PUMP relocated in Samsun organized industrial zone at 2002 for growing marketing requests.

SEMSAN PUMP has 5000m2 work field in Samsun Industrial zone. Our company has 2x2000 kg. + 2x750 kg. Inductoform brand twin induction furnaces. We can offer our brands manufacturing and high-tech forming and induction equipment's we can produce stainless steel and ductile products.

SEMSAN PUMP has TSE certificates on all products and all processes have to obey TSE ISO 9001:2008, TSE-EN-ISO 14001, İSG-OHSAS TS18001 quality management.

SEMSAN PUMP also has European CE Declaration of conformity for pumps and valves.

SEMSAN PUMP has innovative perspective, daily gaining new features on our company. Also SEMSAN PUMP check updates and newest products in the marketing world wide and keeps updating and upgrading self.

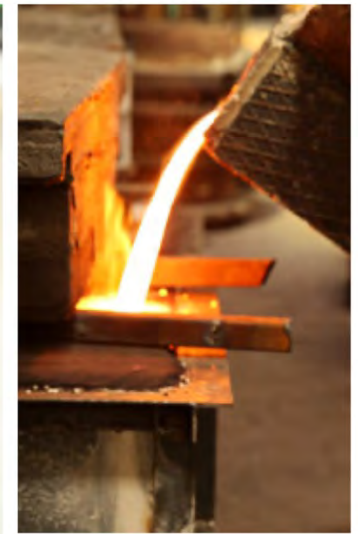
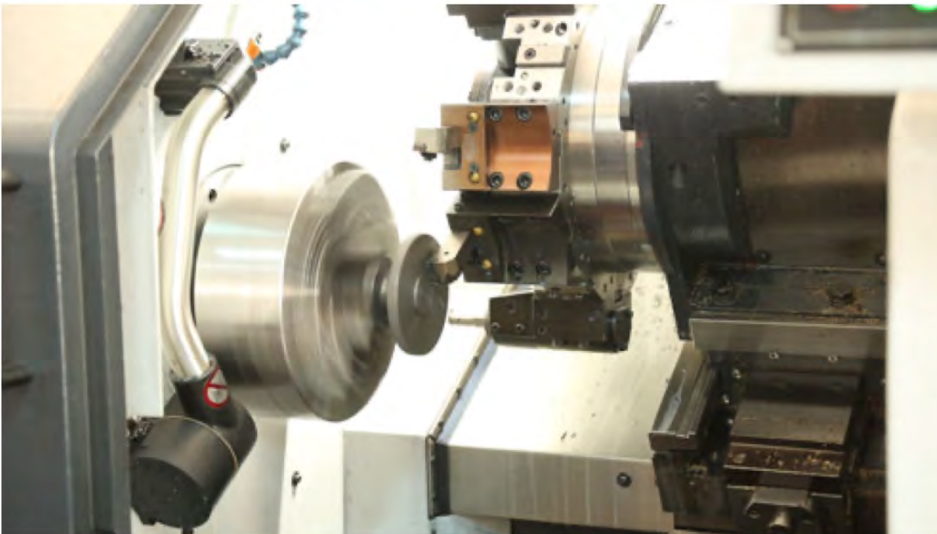
CERTIFICATION

- K-Q TSE ISO EN 9000 QUALITY MANAGEMENT SYSTEM
- TSE İSG-OHSAS TS 18001 HEALTH AND SAFETY MANAGEMENT SYSTEM
- Ç-E TSE-ISO-EN 14000 ENVIROMENTAL MANAGEMENT SYSTEM
- TS EN 593 BUTTERFLY VALVE
- TS EN 12334 CHECK VALVE
- TS 12599 SUBMERSIBLE SEWAGE PUMP
- TSE K 461 DISMANTLIG JOINT
- 97/23/EC PRESSURE EQUIPMENT CASTING CERTIFICATE
- CE DECLARATION OF CONFORMITY ABOUT PUMPS
- TS 12873 SERVICE QUALIFICATION CERTIFICATE - PUMPS
- TS 12844 SERVICE QUALIFICATION CERTIFICATE - VALVE
- WRAS - COATING AND EPDM SEALING SUITABLE FOR DRINKING WATER



MANUFACTURING

- FOUNDRY; 2x2000 kg + 2x750 kg Inductotherm Induction Furnace
- CNC Machining Department
- Electrostatic Epoxy Coating Line
- Double Compound Wet Epoxy Line
- Quality Control
- Material Laboratory: Spectrometer, Tensile Strength Test Machine, Microstructure Analysis Microscope, Hardness Tests
- Hydrostatic Pressure Tests for EN 12266 -1,2
- Pump Performance Tests for ISO 9906
- Material Certification for EN 10204 3.1
- Coating Thickness, Pull of and Spark Test
- Surface Roughness Tests





DESIGN

- TSE-EN 12334 certificated
- Double flanged
- Valve disk double offset
- Flanges DIN EN1092 - PN 10/16 norms
- Face to face EN558-1 Series 14, DIN3202 F4
- Body and disk sealing surface is corrosion – resistant stainless steel welded AISI 316
- Adjustable counterweight lever
- Maximum operating temperature 50 °C

MATERIAL

- Body and disk ductile iron GGG 40/50
- Valve shaft stainless steel AISI 420
- Shaft bearing is bronze
- Epoxy coating for drinking water

CONTROL

- Closing with counterweight
- Closing with hydraulic damper

OPTIONAL

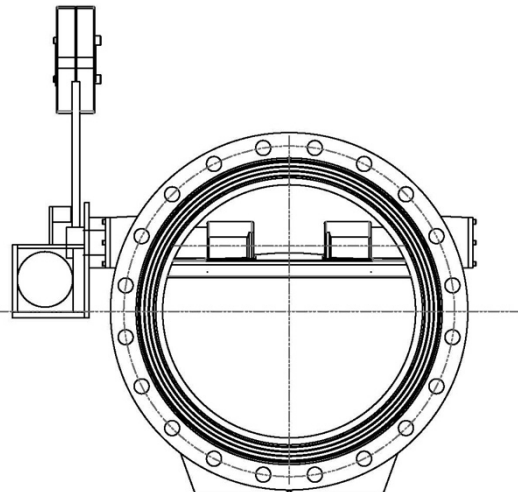
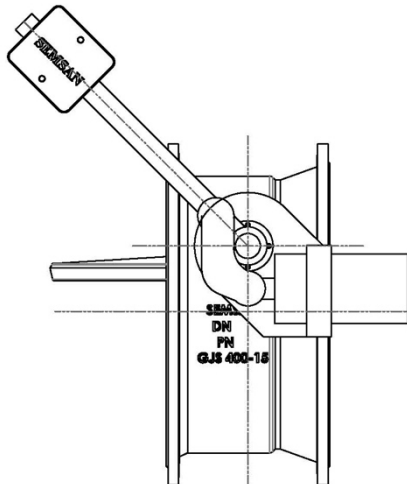
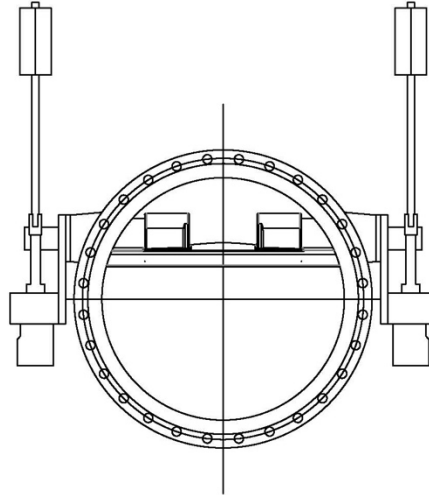
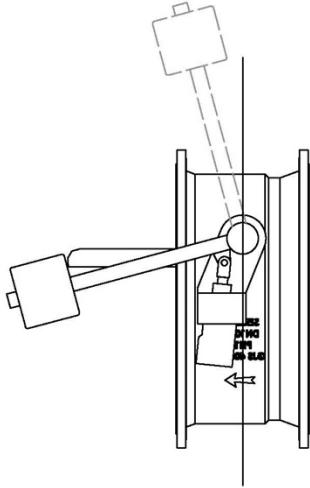
- DN > 2000
- PN > 16
- Stainless steel disk and body
- Adjustable and replaceable EPDM sealing ring
- Disk designed with angle

CORROSION PROTECTION

- Electrostatic Powder Coating for Drinking Water
- Zinch – Rich Epoxy Primer
- Coal – Tar Epoxy
- Glass Flake Epoxy
- Enamel Epoxy for Ultraviolet
- Completely Stainless Steel Design
- Ebonite Coating for Seawater

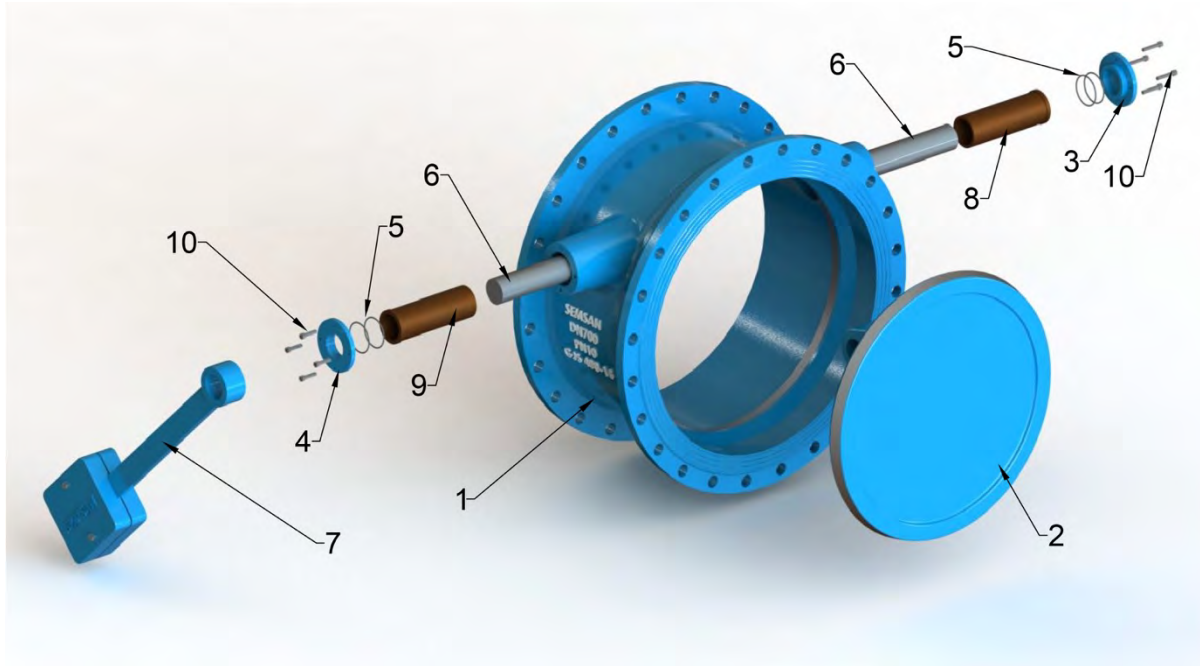


TILTING CHECKVALVE WITH HYDROLIC DAMPER

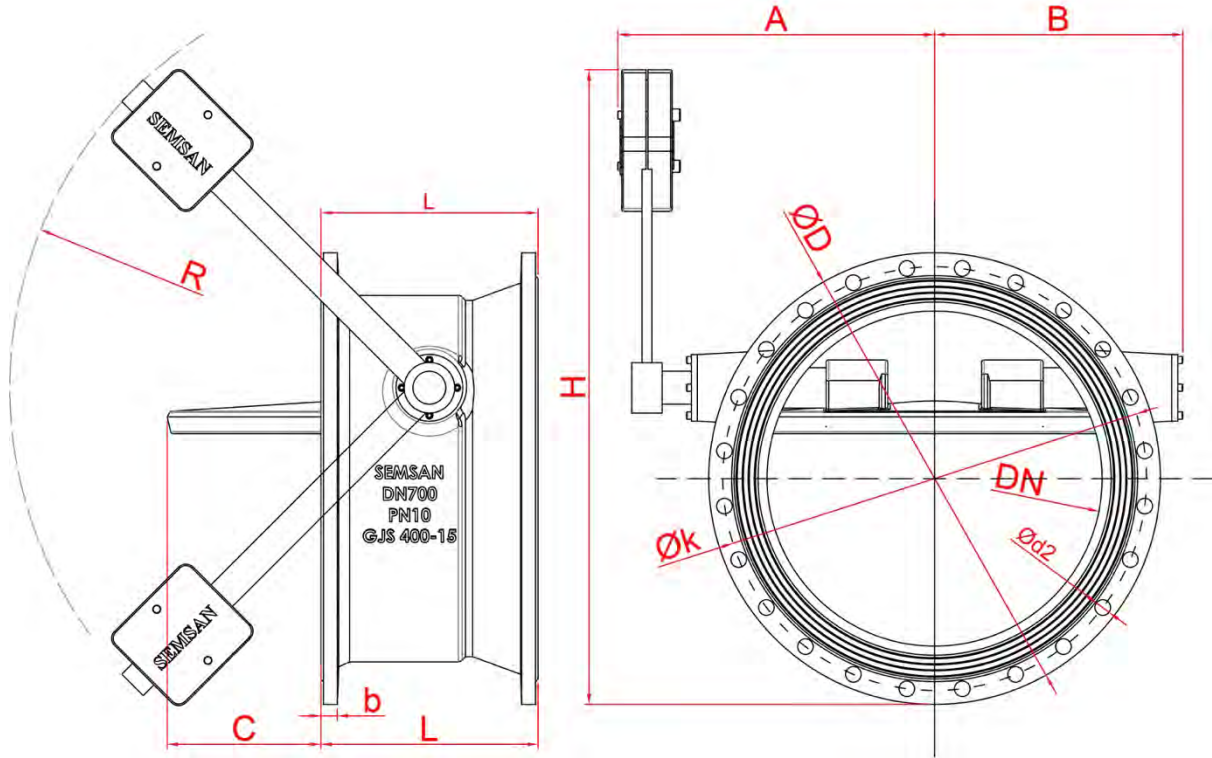


INTERNETIONAL STANDARTS FOR DESIGN		
MAIN TYPE	EN 16767	NON-SLAM NOZZLE TYPE CHECK VALVE
FACE TO FACE DIMENSONS	EN 558 - 1	SERIES 14
FLANGE DIMENSIONS	EN 1092	Flange norm can be revise up to customer
FINAL ACCEPTANCE TEST	EN12266 1 - 2	Rate A (Zero Leakage)
DESIGN TEST	1074 / EN 1267	
BODY AND DISC MATERIALS	EN1563 / AISI / EN 10202 / EN 10213	
SHAFT MATERIAL	EN 10088 / AISI	
BEARING MATERIALS	EN 1982	
COATING	EN ISO 12944 / EN ISO 2409 / EN ISO 4624 (min 250 mikron - electropowder epoxy up to DN1400; DN1500 and bigger wet epoxy)	
COATING FOR SEAWATER	min 3 mm ebonite coating / Glass Flake Epoxy Coating	
CERTIFICATION	10204 3.1 (non witnessed) 10204 3.2 (witnessed) Third Party Tests Raw Material Certificates	

TESTS	
LEAKAGE TEST	1.1 x PN
LOW PRESSURE LEAKAGE	0,2 ATM (zero leakage)
BODY TEST	1,5 X PN
COATING THICKNESS TEST	min 250 mikron
OPERATIONAL TEST	CLOSING TEST
MATERIAL TESTS	MECHANICAL, CHEMICAL, MICROSTRUCTURE



NO	PART	STANDART MATERIAL	OPTIONAL MATERIALS
1	VALVE BODY	DUCTILE IRON GJS400.15 / GJS400.18 / GJS500.7 / GJS500.14	STAINLESS STEEL AISI 304 / AISI 316 / AISI 329 Duplex (S32900)
2	VALVE DISC	DUCTILE IRON GJS400.15 / GJS400.18 / GJS500.7 / GJS500.14	STAINLESS STEEL AISI 304 / AISI 316 / AISI 329 Duplex (S32900)
3, 4	BLIND AND SHAFT LID	DUCTILE IRON GJS400.15 / GJS400.18 / GJS500.7 / GJS500.14	DUCTILE IRON GJS400.15 / GJS400.18 / GJS500.7 / GJS500.14
5	O-RING	EPDM	NBR
6	SHAFT	1.4021 (AISI420) / 1.4057 (AISI431)	1.4462 (Duplex SS)
7	COUNTERWEIGHT LEVEL	S235JR	
8-9	BEARING BUSH	GCuSn10	ZincFree Bronze
10	BOLTS	A2	A4
11	BODY AND DISC SEAT	AISI 309L Si	AISI 316L Si



(DN)	NOMINAL						PN10	PN16	PN25
	A	B	C	L	H	R	WEIGHT	WEIGHT	WEIGHT
200	305	170	35	230	400	250	58	58	88
250	360	200	63	250	437	250	85	85	95
300	385	233	90	270	525	300	107	116	146
350	410	275	118	290	562	300	134	136	189
400	402	283	140	310	640	300	155	194	283
500	481	350	195	350	825	400	250	309	468
600	547	398	255	390	990	500	359	537	607
700	672	490	305	430	1165	600	522	697	948
800	770	545	365	470	1300	660	672	791	1208
900	813	586	420	510	1375	660	934	999	1903
1000	882	650	465	550	1560	760	1220	1386	2142
1200	1063	750	585	630	1840	900	1793	2174	2940
1400	1158	890	705	710	2075	1000	2621	3004	4080
1600	1275	1000	825	790	2330	1100	4402	4584	5775
1800	1375	1100	945	870	2660	1300	5321	5586	9180
2000	1525	1200	1065	950	2910	1400	7324	7748	11730

Our Products



Butterfly Valve



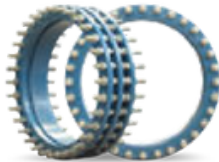
Plunger Valve



Tilting Check Valve



Nozzle Check Valve



Dismantling Joint



Submersible Mixed Flow Column Type Pump



Hydraulic Controlled Check Butterfly Valve



Strainer - Y - Type / Inline - Basket Type



Swing Check Valve



Knife Gate Valve



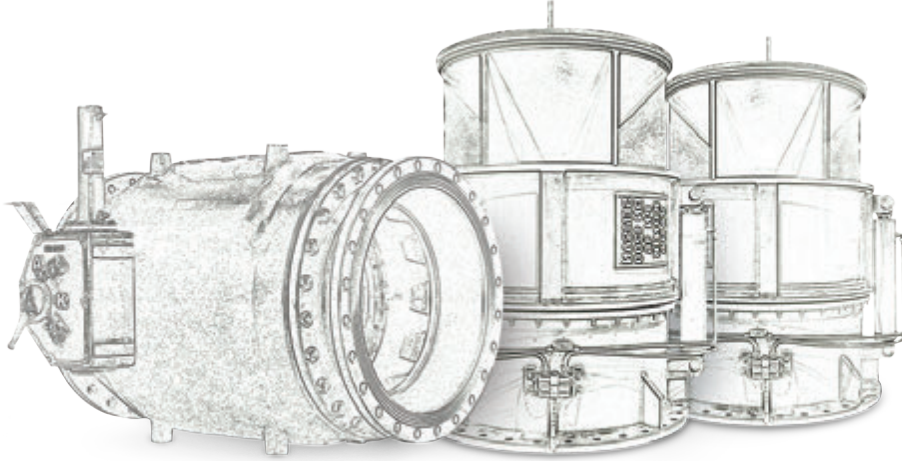
Hollow Jet Valve / Gate Valve



Submersible Sewage Pump



PUMP, VALVE & DAM
EQUIPMENTS
PRODUCT CATALOGUE



SEMSAN POMPA MAKİNA SANAYİ VE TİCARET LTD. ŞTİ.

Adres : Organize Sanayi Bölgesi Erdođan Cebeci Bulvarı.
No:42/B Kutlukent / SAMSUN / TURKEY
Phone : +90 362 266 88 33
Fax : +90 362 266 88 58
E-mail : semsan@semsan.com.tr
Web : www.semsan.com.tr

